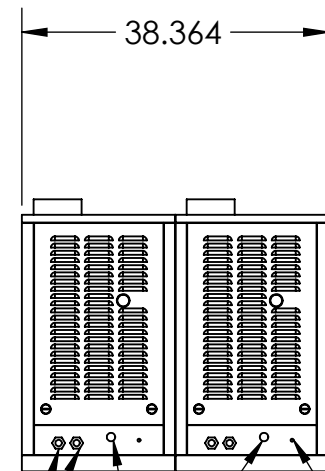
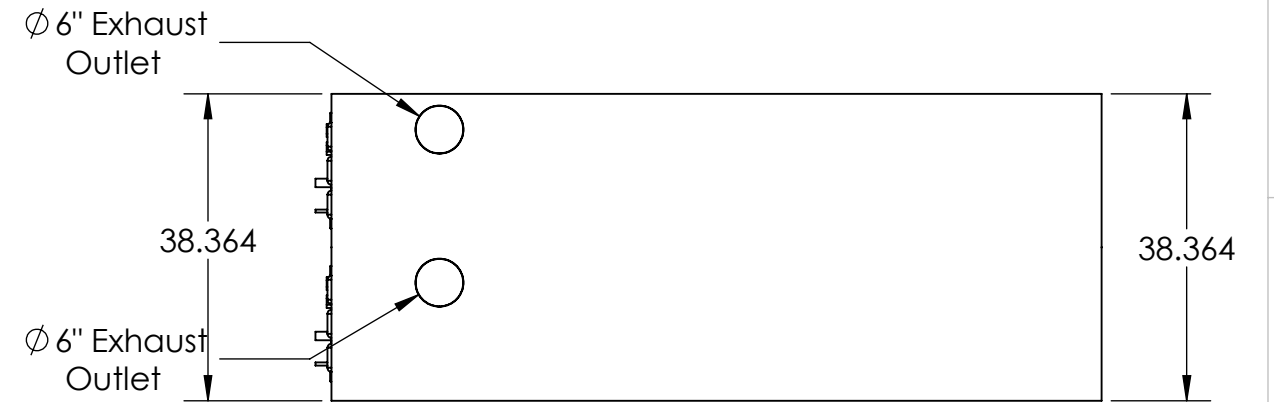
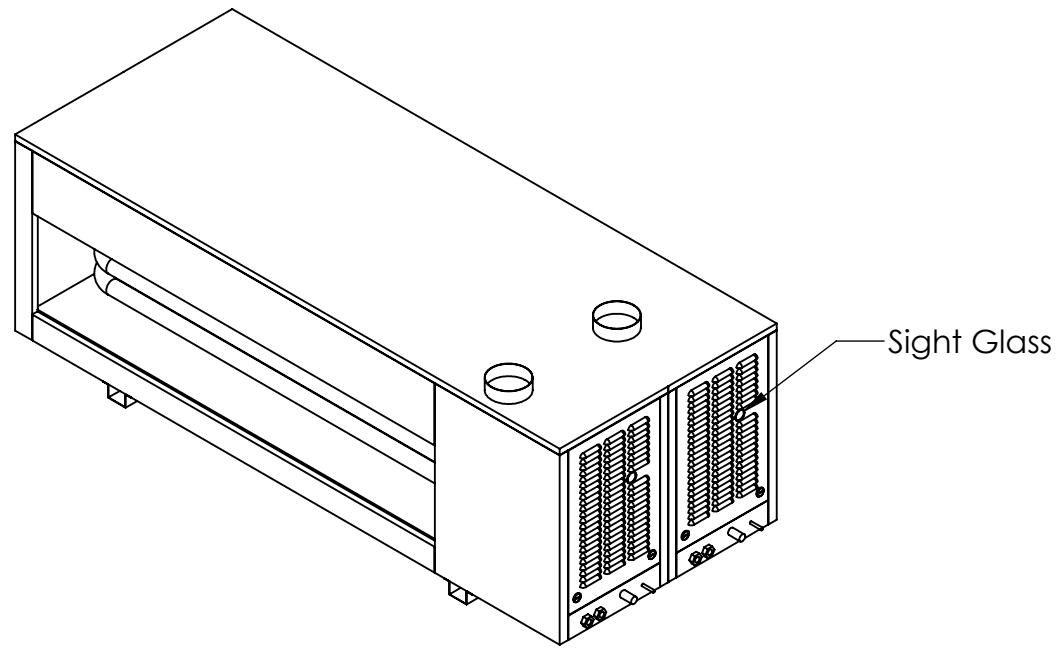
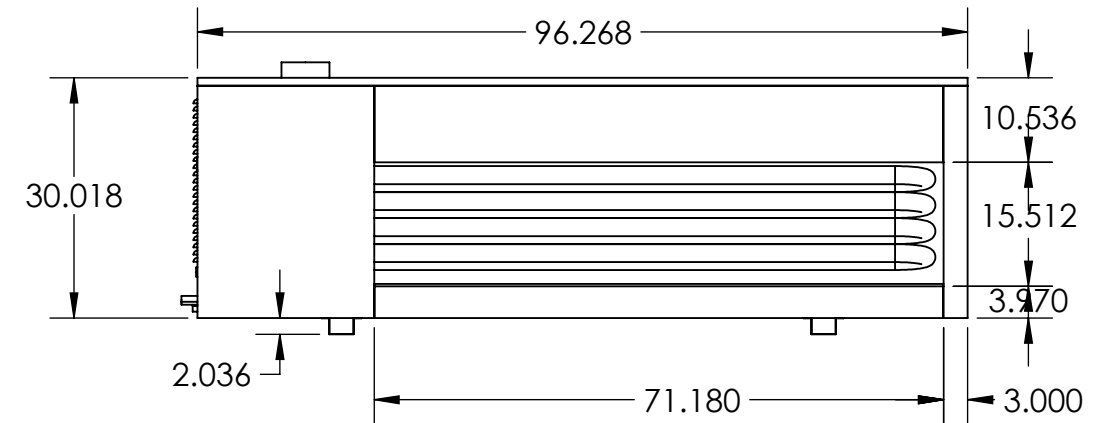


REVISIONS			
REV.	DESCRIPTION	DATE	APPROVED



Electrical Connections  
3/4" NPT Gas Connection (Qty 2)

Condensate Drain (Qty 2)



Request a quote for the items below for a "10 to 1 turndown" HDB200-B-KT-x2

- HDB200\*\*76B04MA\*\*R4\*S
- HDB200\*\*76B04TN\*\*R4\*S
- VCB-1 on a backplate
- S packaging adder

Request a quote for the items below for a "20 to 1 turndown" HDB200-B-KT-x2

- HDB200\*\*76B04MB\*\*R4\*S
- HDB200\*\*76B04TN\*\*R4\*S
- VCB-1 on a backplate
- S packaging adder

**PROPRIETARY AND CONFIDENTIAL**  
THE INFORMATION CONTAINED IN THIS DRAWING IS THE SOLE PROPERTY OF HEATCO INC. ANY REPRODUCTION IN PART OR AS A WHOLE WITHOUT THE WRITTEN PERMISSION OF HEATCO IS PROHIBITED.

		UNLESS OTHERWISE SPECIFIED:		NAME	DATE	<b>HEATCO</b> 50 Heatco Ct. Cartersville Ga 30120 1-800-554-1007
		DIMENSIONS ARE IN INCHES TOLERANCES: FRACTIONAL ± ANGULAR: MACH ± BEND ± TWO PLACE DECIMAL ± THREE PLACE DECIMAL ±		DRAWN	MReese	
		INTERPRET GEOMETRIC TOLERANCING PER:		CHECKED		TITLE:
		MATERIAL		ENG APPR.		HDB200-B-KT-x2
		FINISH		MFG APPR.		SIZE
NEXT ASSY	USED ON			Q.A.		DWG. NO.
APPLICATION		DO NOT SCALE DRAWING		COMMENTS:		REV
						SCALE: 1:24
						WEIGHT:
						SHEET 1 OF 1