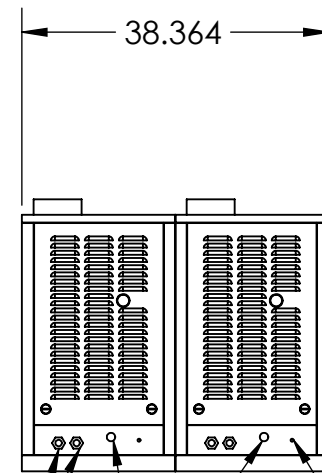
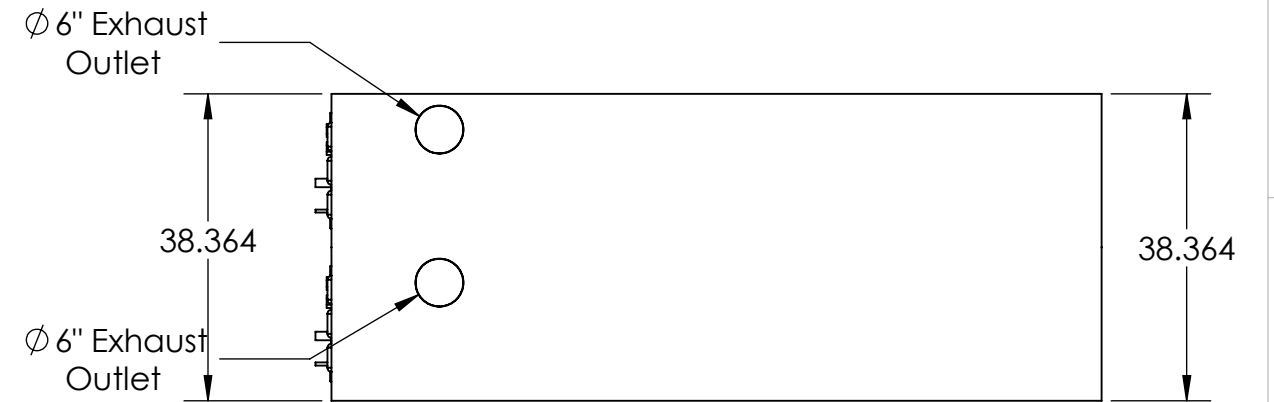
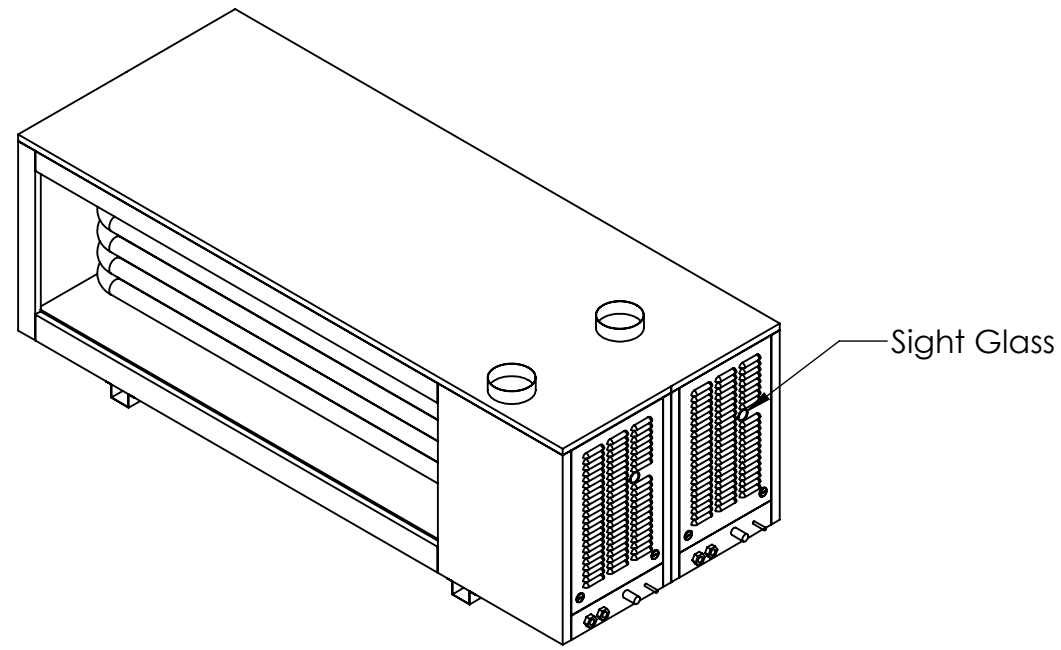
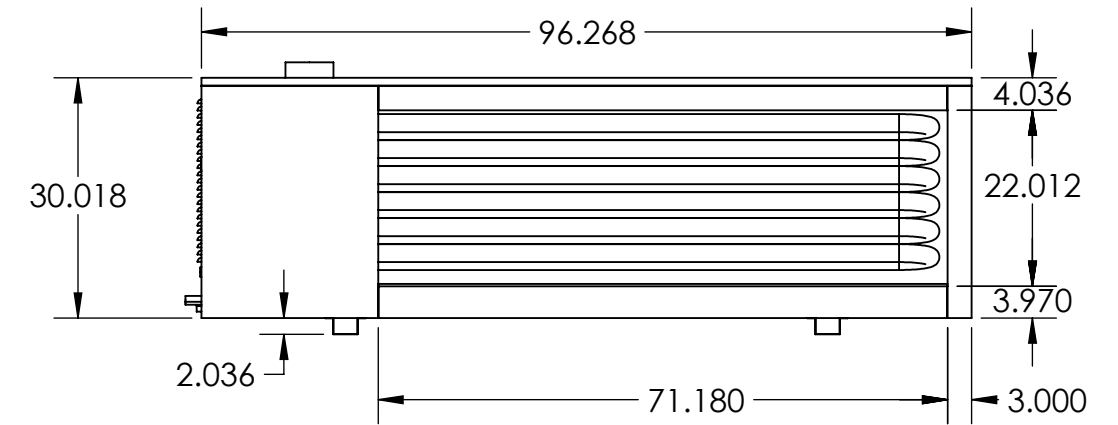


REVISIONS			
REV.	DESCRIPTION	DATE	APPROVED



Electrical Connections
3/4" NPT Gas Connection (Qty 2)

Condensate Drain (Qty 2)



Request a quote for the items below for a "10 to 1 turndown" HDB300-B-KT-x2

- HDB300**76B06MA**R4*S
- HDB300**76B06TN**R4*S
- VCB-1 on a backplate
- S packaging adder

Request a quote for the items below for a "20 to 1 turndown" HDB300-B-KT-x2

- HDB300**76B06MB**R4*S
- HDB300**76B06TN**R4*S
- VCB-1 on a backplate
- S packaging adder

PROPRIETARY AND CONFIDENTIAL
THE INFORMATION CONTAINED IN THIS DRAWING IS THE SOLE PROPERTY OF HEATCO INC. ANY REPRODUCTION IN PART OR AS A WHOLE WITHOUT THE WRITTEN PERMISSION OF HEATCO IS PROHIBITED.

		UNLESS OTHERWISE SPECIFIED:		NAME	DATE	HEATCO 50 Heatco Ct. Cartersville Ga 30120 1-800-554-1007
		DIMENSIONS ARE IN INCHES		DRAWN	MReese 3/18/19	
		TOLERANCES:		CHECKED		
		FRACTIONAL ±		ENG APPR.		
		ANGULAR: MACH ± BEND ±		MFG APPR.		
		TWO PLACE DECIMAL ±		Q.A.		TITLE:
		THREE PLACE DECIMAL ±		COMMENTS:		HDB300-B-KT-x2
		INTERPRET GEOMETRIC TOLERANCING PER:				SIZE
		MATERIAL				DWG. NO.
		FINISH				REV
NEXT ASSY	USED ON	DO NOT SCALE DRAWING				SCALE: 1:24
APPLICATION						WEIGHT:
						SHEET 1 OF 1