



**Submittal Data Sheet**  
Heatco DF Series  
Direct Gas-Fired Modules

Quantity: \_\_\_\_\_

Location: \_\_\_\_\_ Indoors \_\_\_\_\_ Outdoors

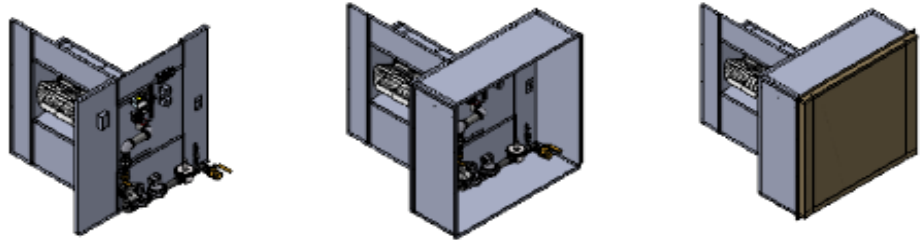
Application: \_\_\_\_\_ MUA \_\_\_\_\_ Process \_\_\_\_\_ Recirculation

If Recirc., What Percentage: \_\_\_\_\_

Config. (Airflow) Direction: \_\_\_\_\_ Right to Left \_\_\_\_\_ Left To Right \_\_\_\_\_ Vertical (Top-Down) \_\_\_\_\_ Vertical (Bottom-Up)

Gas Train Vestibule: \_\_\_\_\_ VN (No Vestibule) \_\_\_\_\_ VO (Vestibule Open Front) \_\_\_\_\_ VC (Full Vestibule w/ Doors Indoor/Outdoor Rated)

Customer:	_____
Project Name:	_____
Tag:	_____



Source Voltage: \_\_\_\_\_ 575/3 \_\_\_\_\_ 480/3 \_\_\_\_\_ 230/3 \_\_\_\_\_ 208/3 \_\_\_\_\_ 230/1 \_\_\_\_\_ 208/3

Electrical: *Direct Fired Modules are 115 V only. A stepdown transformer may be installed.*

Stepdown Transformer: \_\_\_\_\_ Yes \_\_\_\_\_ No

Fuel: \_\_\_\_\_ NAT \_\_\_\_\_ LP

Supply Gas Pressure \_\_\_\_\_ PSI \_\_\_\_\_ In. W.C.

Gas Train Code: \_\_\_\_\_ UL \_\_\_\_\_ FM \_\_\_\_\_ IRI/GAP \_\_\_\_\_ CSA B149

AHU Dimensions (See Figure 1): L= \_\_\_\_\_ in. W= \_\_\_\_\_ in. H= \_\_\_\_\_ in.

*(please send drawings if possible)*

Profile Plate / Airside Material \_\_\_\_\_ Galv \_\_\_\_\_ 304 \_\_\_\_\_ 316

Vestibule Material: \_\_\_\_\_ Galv \_\_\_\_\_ 304 \_\_\_\_\_ 316 \_\_\_\_\_ 304 Airside Galv Outside \_\_\_\_\_ 316 Airside Galv Outside

Non-Silicone (Additional Charge): \_\_\_\_\_ Yes \_\_\_\_\_ No

Variable Air Volume: \_\_\_\_\_ No \_\_\_\_\_ 2 Position \_\_\_\_\_ MOD

Inlet Temp. (oF): \_\_\_\_\_

Discharge Temp. (oF): \_\_\_\_\_

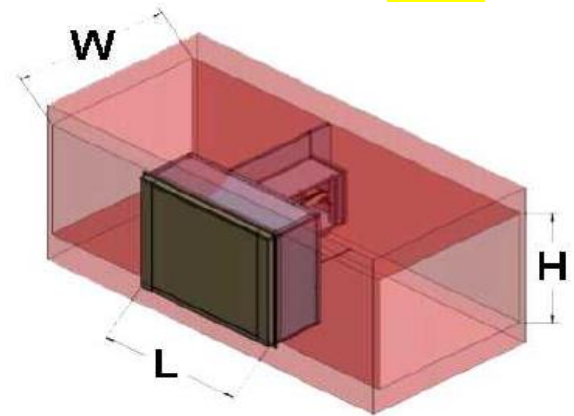
Elevation (ft.): \_\_\_\_\_

Max Airflow (SCFM): \_\_\_\_\_ (IF VAV) Min Airflow (SCFM): \_\_\_\_\_

Burner Pressure Drop (in w.c.): \_\_\_\_\_  
*(Heatco designs @ .68 in w.c. if info is not provided)*  
**0.50 in w.c. minimum design burner pressure drop**

Capacity (Btu): \_\_\_\_\_

Control: \_\_\_\_\_ CA (customer provided modulating signal) \_\_\_\_\_ DA (Heatco provided discharge air sensing control)  
\_\_\_\_\_ RA (Heatco provided room air sensing control)



**FIGURE 1**