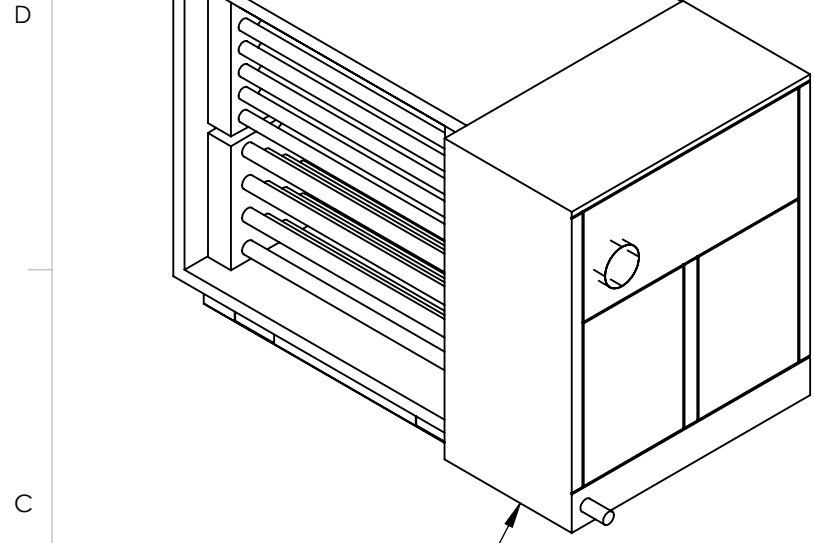
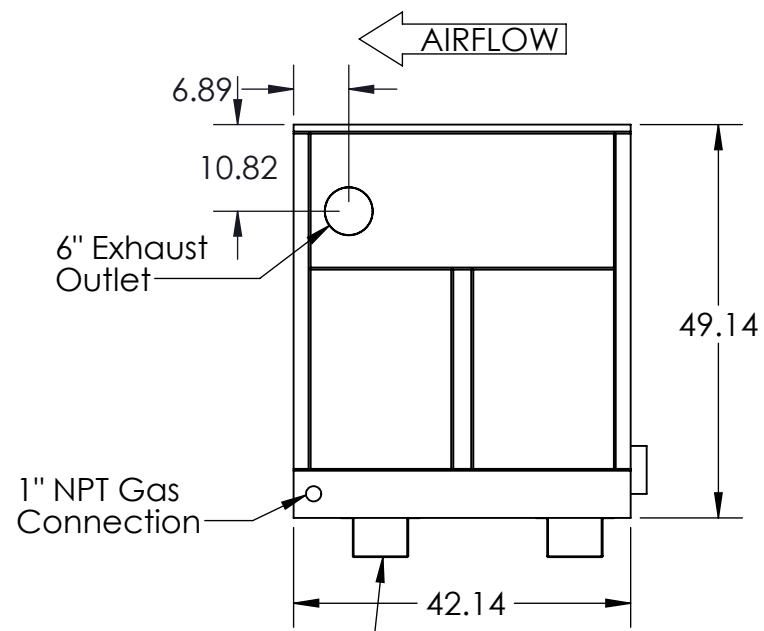


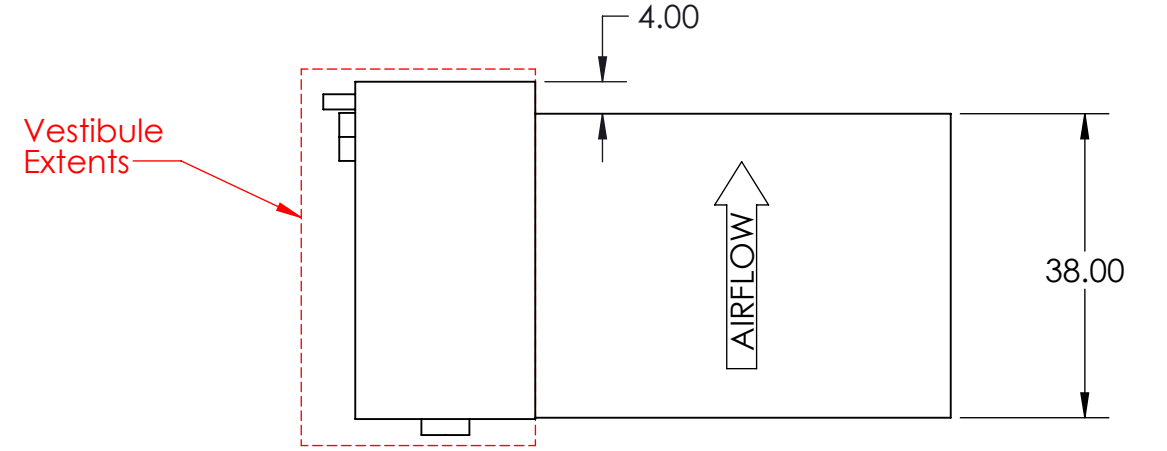
REVISIONS			
REV.	DESCRIPTION	DATE	APPROVED
A	Moved fresh air opening	8/7/2017	JDP



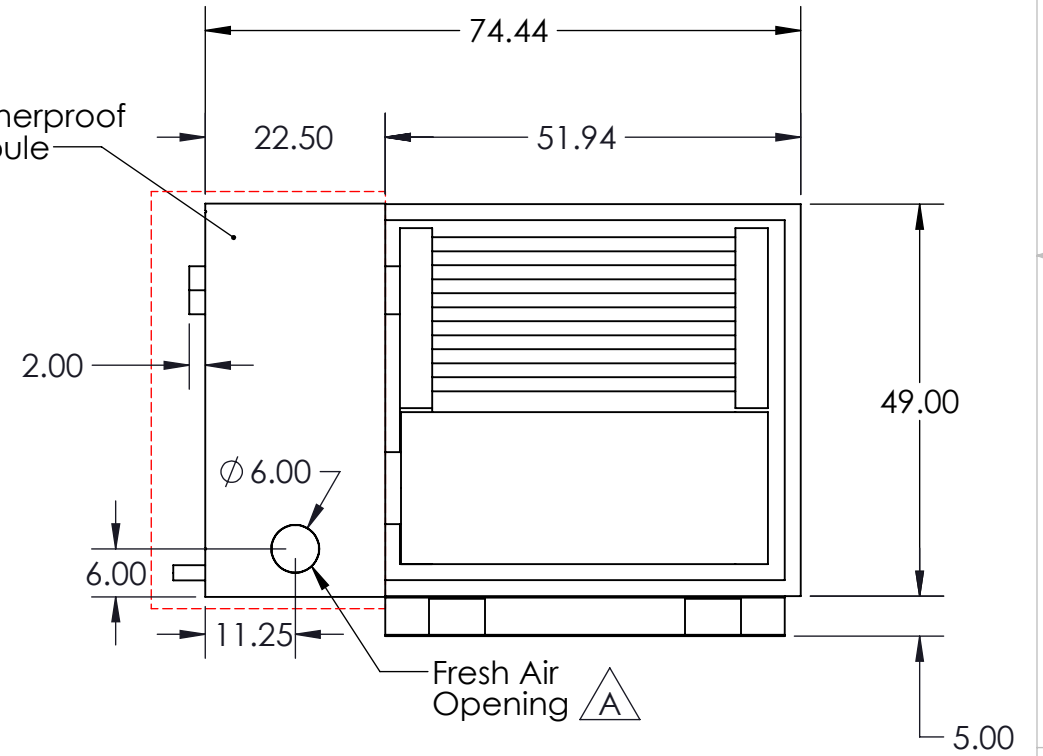
PVC Drain Through Floor of Vestibule (See Detail Below)



Removable Forklift Channels

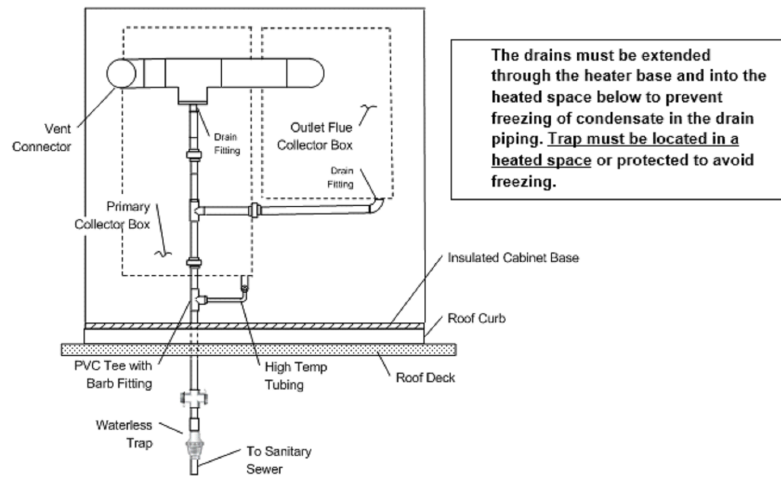


Weatherproof Vestibule



For outdoor installations run condensate drain from duct furnace into building (See Figure 2)

Figure 2 - Condensate Drain Piping



The drains must be extended through the heater base and into the heated space below to prevent freezing of condensate in the drain piping. Trap must be located in a heated space or protected to avoid freezing.

PROPRIETARY AND CONFIDENTIAL
THE INFORMATION CONTAINED IN THIS DRAWING IS THE SOLE PROPERTY OF HEATCO INC. ANY REPRODUCTION IN PART OR AS A WHOLE WITHOUT THE WRITTEN PERMISSION OF HEATCO IS PROHIBITED.

UNLESS OTHERWISE SPECIFIED:		NAME	DATE	HEATCO 50 Heatco Ct. Cartersville Ga 30120 1-800-554-1007
DIMENSIONS ARE IN INCHES TOLERANCES: FRACTIONAL ± ANGULAR: MACH ± BEND ± TWO PLACE DECIMAL ± THREE PLACE DECIMAL ±		DRAWN	MReese 9-6-16	
INTERPRET GEOMETRIC TOLERANCING PER:		CHECKED		TITLE:
MATERIAL		ENG APPR.		EF250-B-V1-SF
FINISH		MFG APPR.		SIZE DWG. NO. REV
NEXT ASSY	USED ON	Q.A.		B A
APPLICATION		COMMENTS:		SCALE: 1:24 WEIGHT: SHEET 1 OF 1
DO NOT SCALE DRAWING				