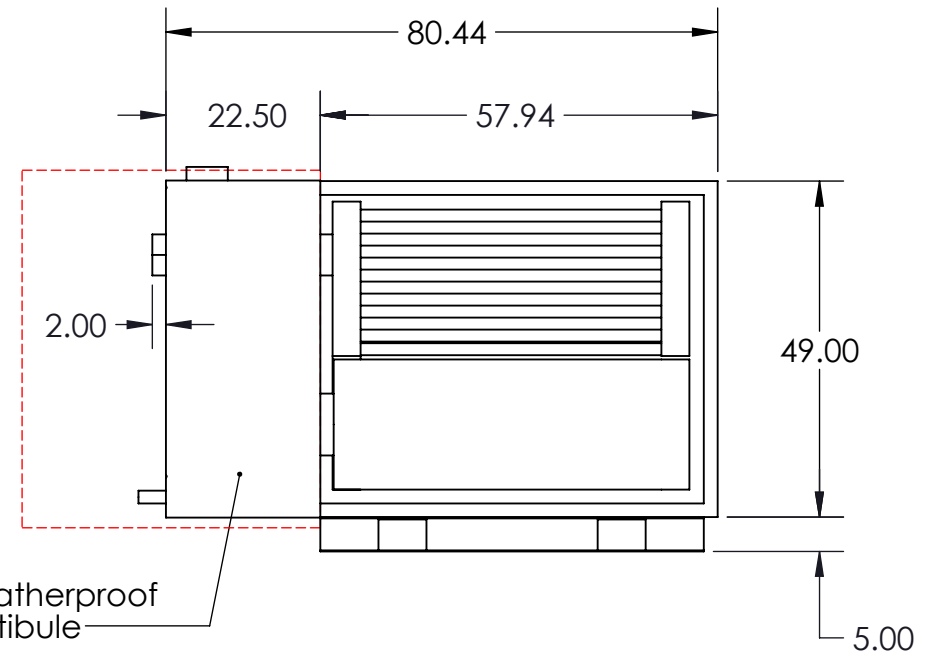
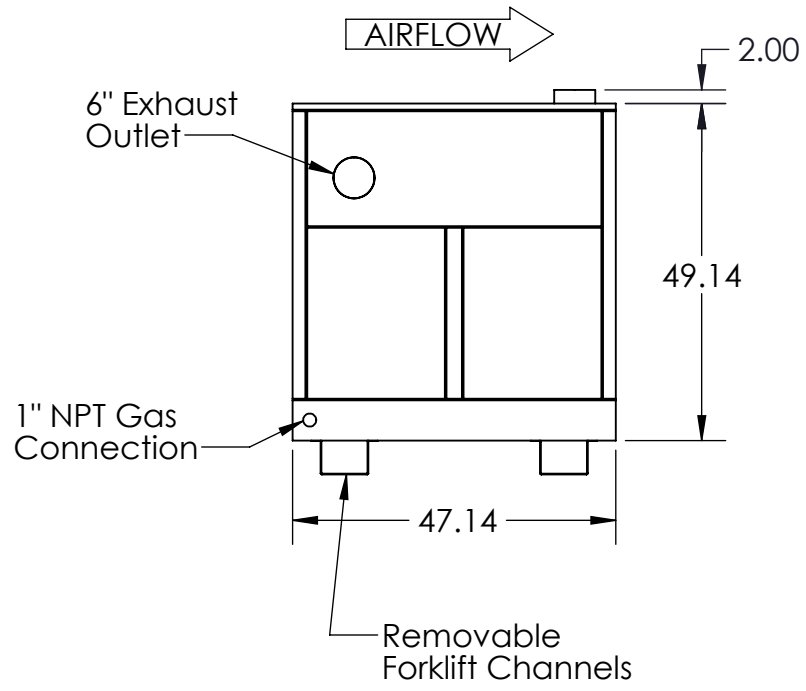
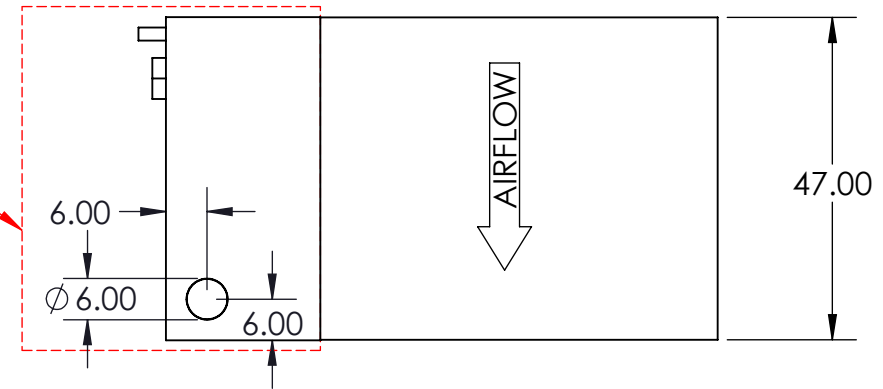


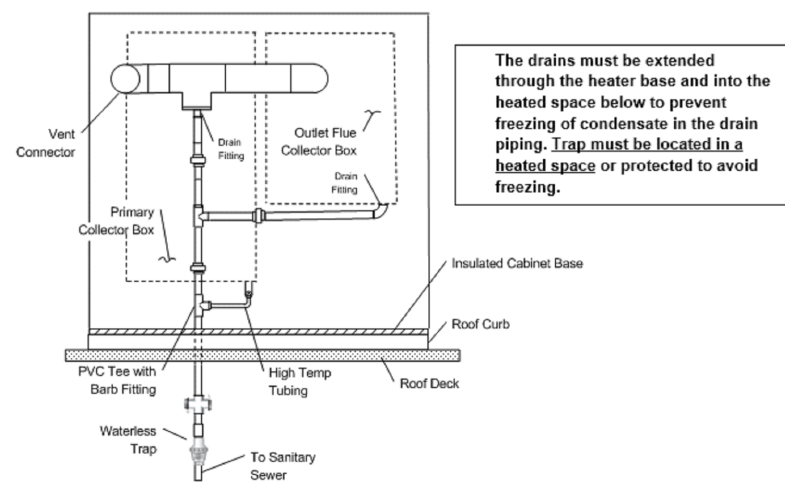
PVC Drain Through Floor of Vestibule (See Detail Below)

Weatherproof Extents



For outdoor installations run condensate drain from duct furnace into building (See Figure 2)

Figure 2 - Condensate Drain Piping



The drains must be extended through the heater base and into the heated space below to prevent freezing of condensate in the drain piping. Trap must be located in a heated space or protected to avoid freezing.

PROPRIETARY AND CONFIDENTIAL
THE INFORMATION CONTAINED IN THIS DRAWING IS THE SOLE PROPERTY OF HEATCO INC. ANY REPRODUCTION IN PART OR AS A WHOLE WITHOUT THE WRITTEN PERMISSION OF HEATCO IS PROHIBITED.

		UNLESS OTHERWISE SPECIFIED:		NAME	DATE	HEATCO		50 Heatco Ct. Cartersville Ga 30120 1-800-554-1007	
		DIMENSIONS ARE IN INCHES TOLERANCES: FRACTIONAL ± ANGULAR: MACH ± BEND ± TWO PLACE DECIMAL ± THREE PLACE DECIMAL ±		DRAWN	MReese	9-6-16	TITLE:		
		INTERPRET GEOMETRIC TOLERANCING PER:		CHECKED			EF400-A-V1-SF		
		MATERIAL		ENG APPR.			SIZE		DWG. NO.
NEXT ASSY		USED ON		MFG APPR.			REV		
APPLICATION		DO NOT SCALE DRAWING		Q.A.			SCALE: 1:28		WEIGHT:
				COMMENTS:			SHEET 1 OF 1		