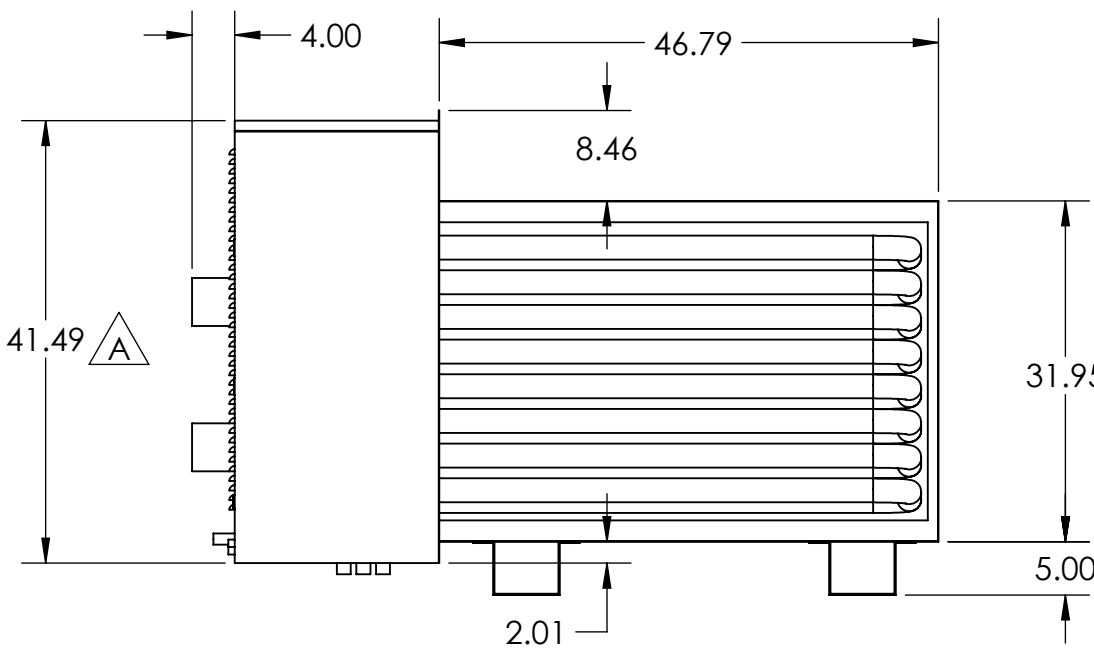
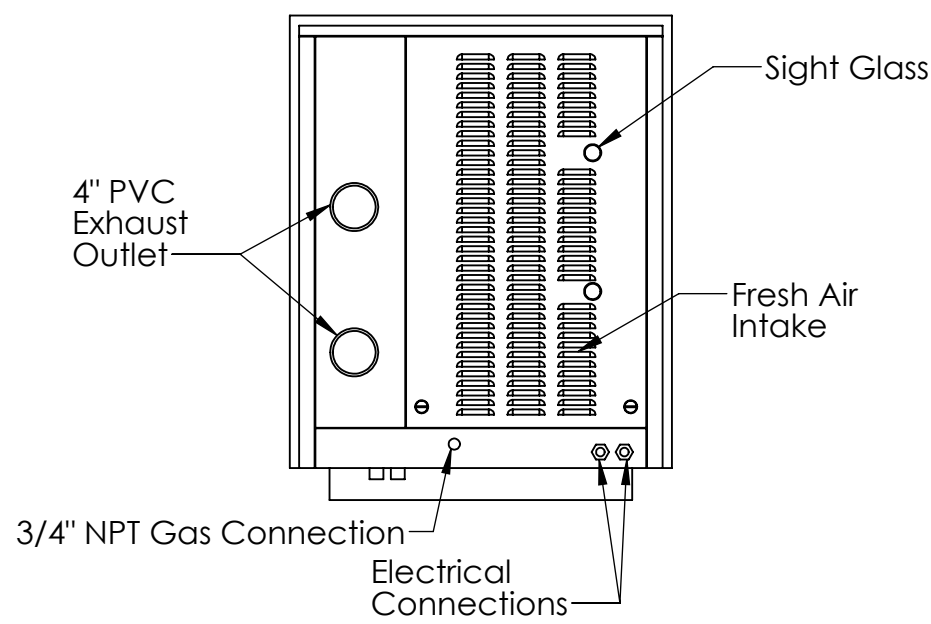
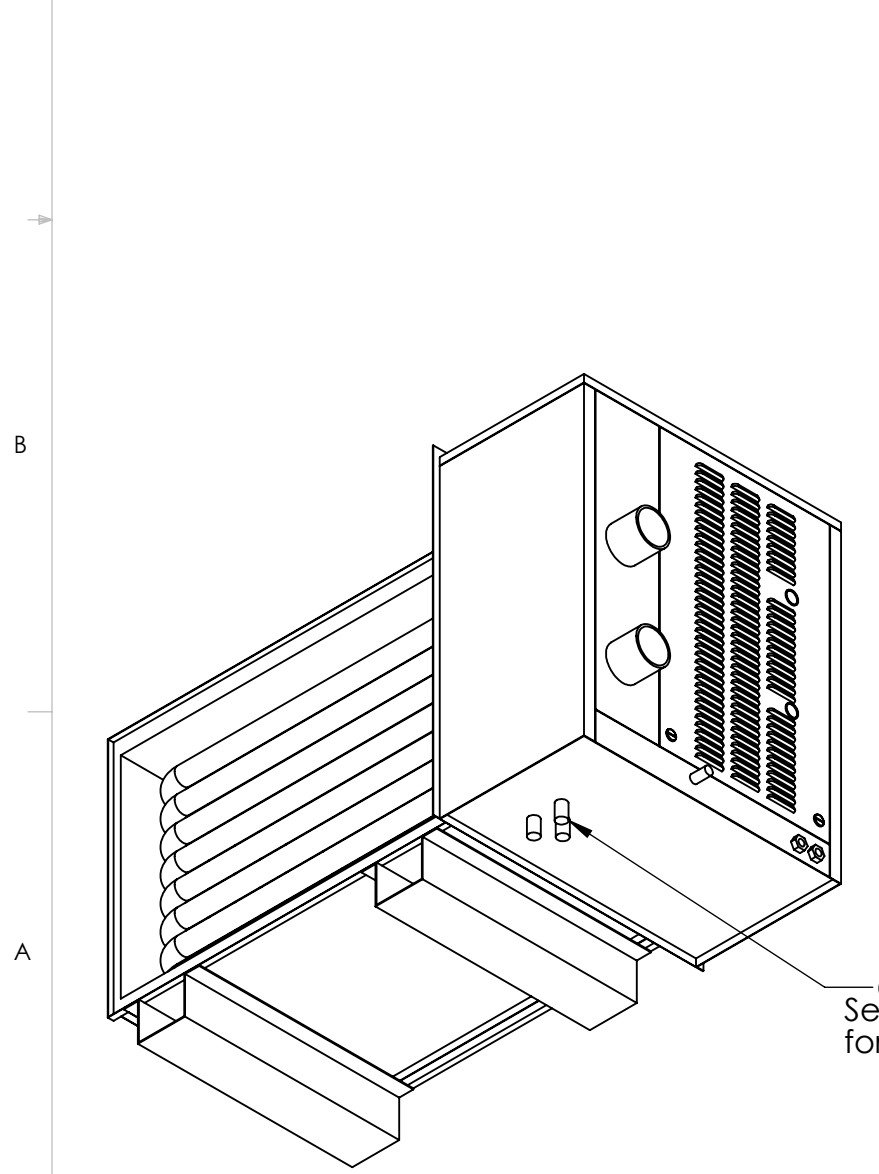
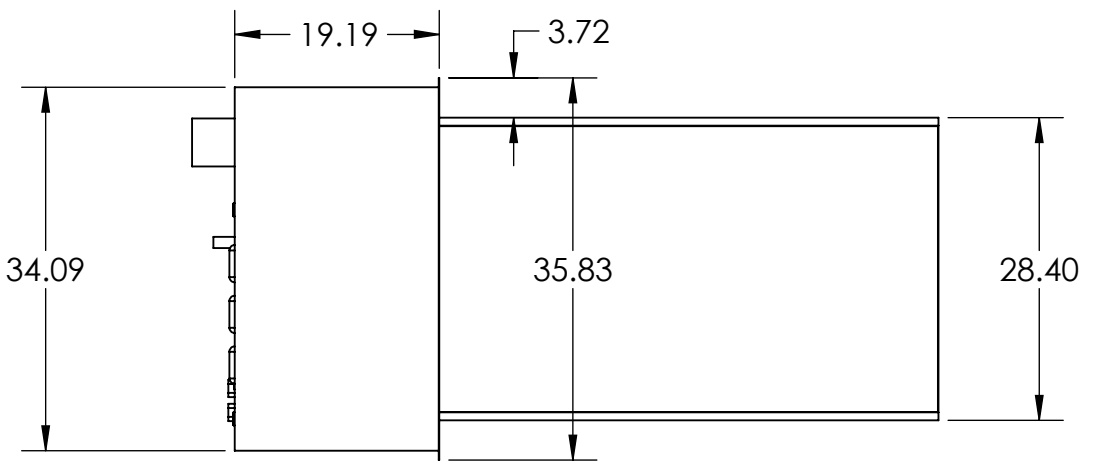
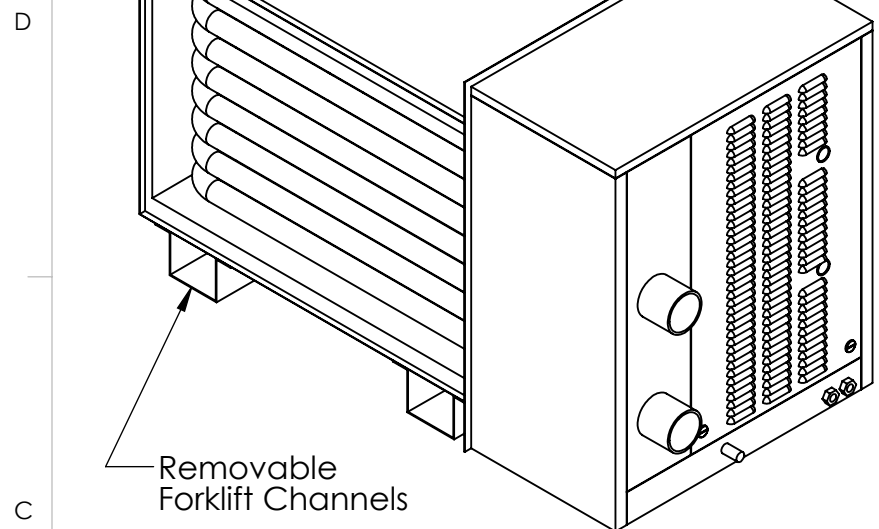


8 7 6 5 4 3 2 1

REV.	DESCRIPTION	DATE	APPROVED
A	Increased height to allow space for controls	1/18/2017	JDP



Condensate Drains  
See installation manual  
for drain requirements

**PROPRIETARY AND CONFIDENTIAL**  
THE INFORMATION CONTAINED IN THIS DRAWING IS THE SOLE PROPERTY OF HEATCO INC. ANY REPRODUCTION IN PART OR AS A WHOLE WITHOUT THE WRITTEN PERMISSION OF HEATCO IS PROHIBITED.

UNLESS OTHERWISE SPECIFIED:		NAME	DATE	<h1>HEATCO</h1> 50 Heatco Ct. Cartersville Ga 30120 1-800-554-1007
DIMENSIONS ARE IN INCHES		DRAWN	JPence 12/9/2016	
TOLERANCES:		CHECKED		
FRACTIONAL ±		ENG APPR.		
ANGULAR: MACH ± BEND ±		MFG APPR.		
TWO PLACE DECIMAL ±		Q.A.		
THREE PLACE DECIMAL ±		COMMENTS:		
INTERPRET GEOMETRIC TOLERANCING PER:				
MATERIAL				
FINISH				
NEXT ASSY	USED ON			
APPLICATION		DO NOT SCALE DRAWING		
		SIZE	DWG. NO.	REV
		<b>B</b>	EMA360-A-MR-CK	
		SCALE: 1:18	WEIGHT:	SHEET 1 OF 1

8 7 6 5 4 3 2 1