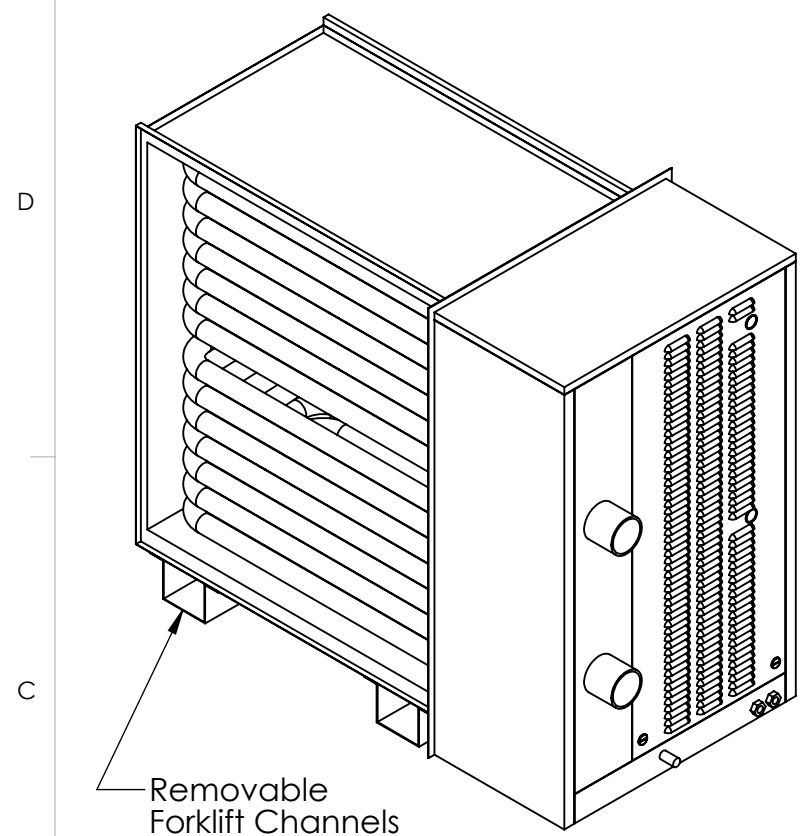
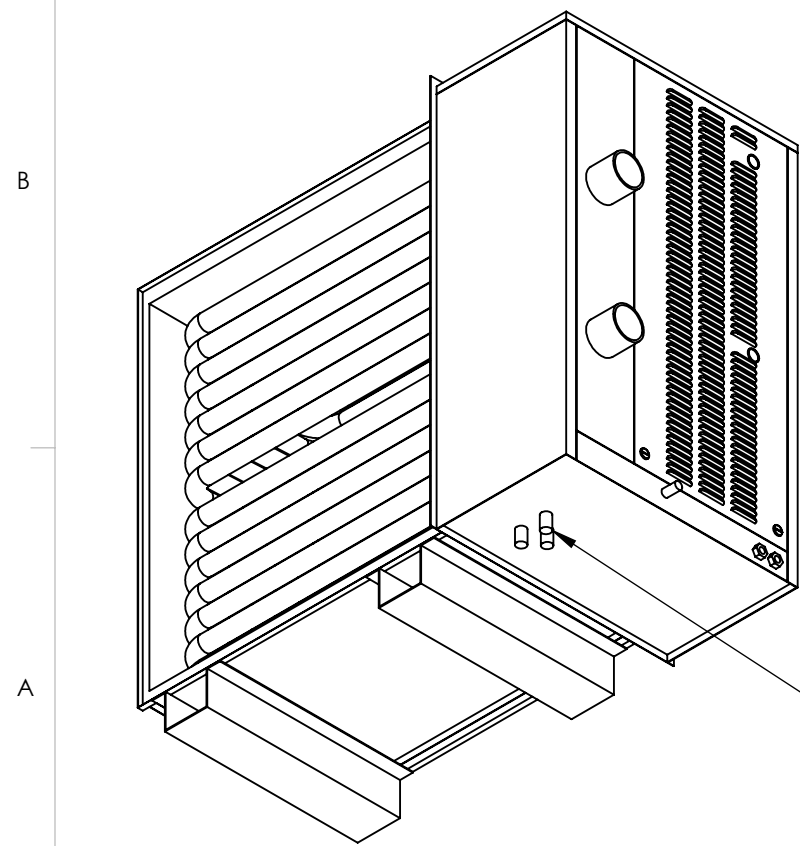


8 7 6 5 4 3 2 1

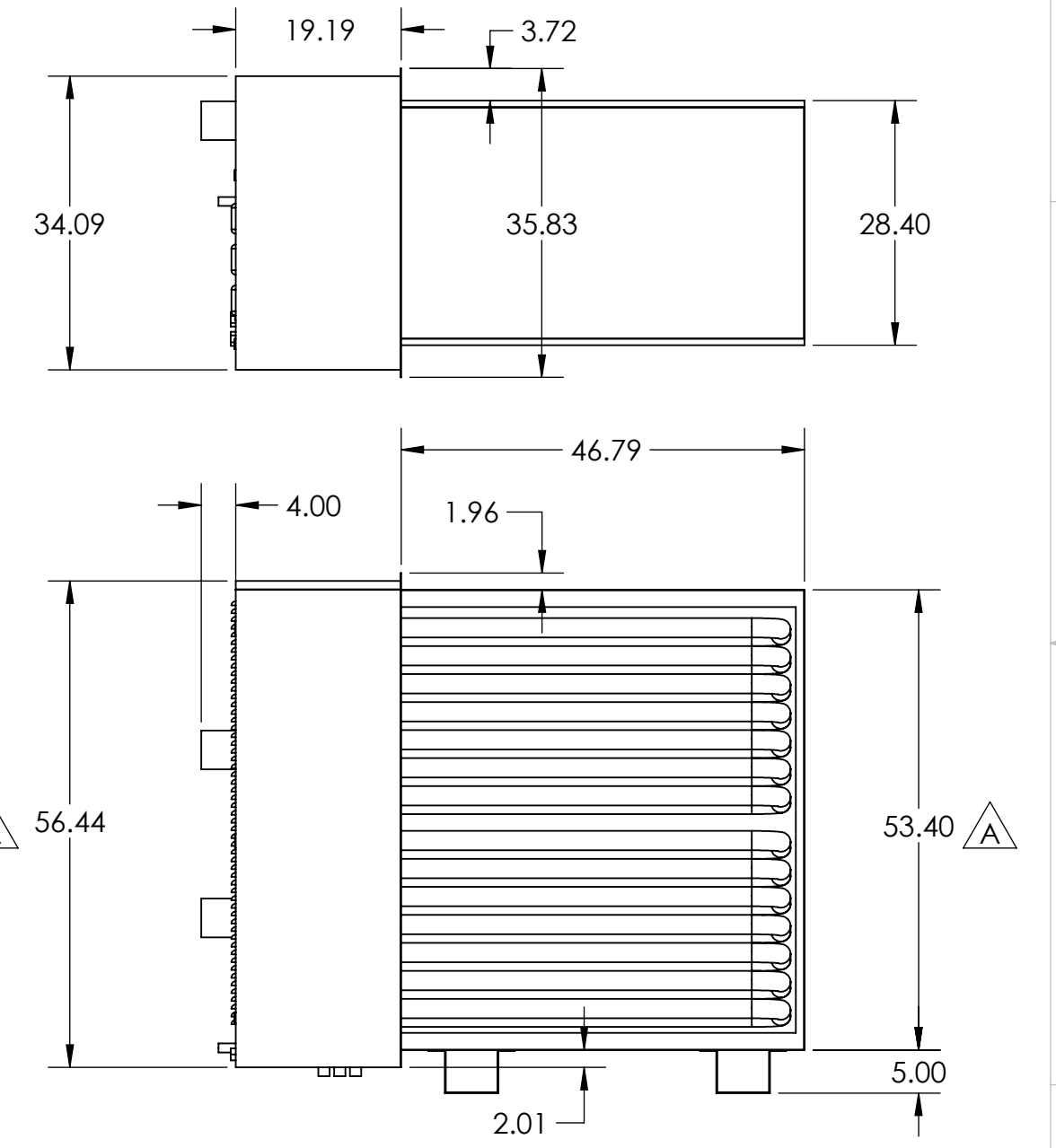
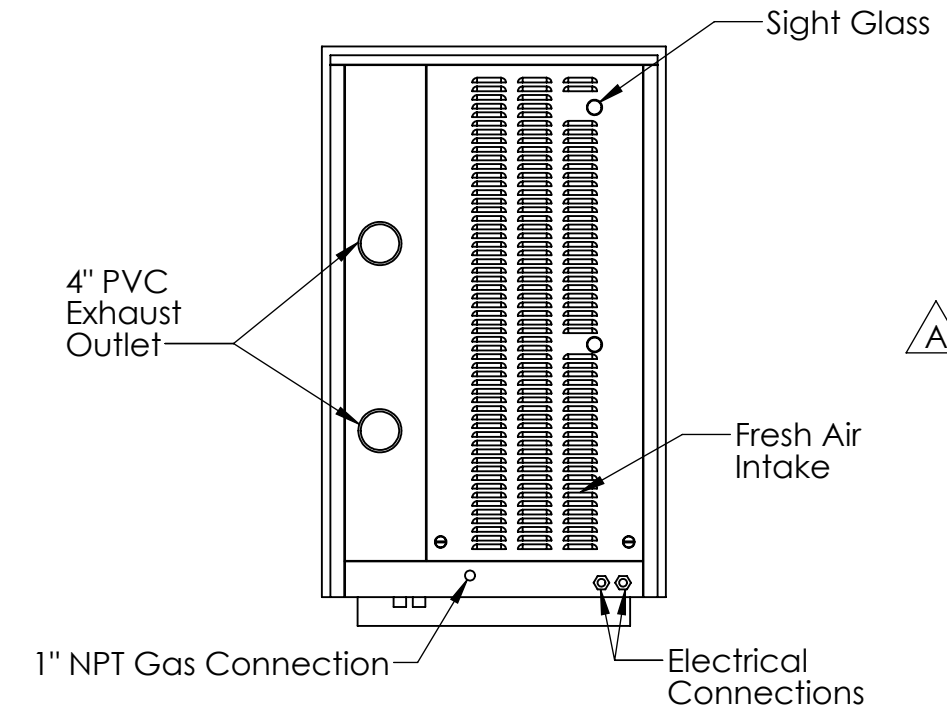
REVISIONS			
REV.	DESCRIPTION	DATE	APPROVED
A	Revised unit height	2/13/2018	JDP



Removable Forklift Channels



Condensate Drains  
See installation manual  
for drain requirements



**PROPRIETARY AND CONFIDENTIAL**  
THE INFORMATION CONTAINED IN THIS DRAWING IS THE SOLE PROPERTY OF HEATCO INC. ANY REPRODUCTION IN PART OR AS A WHOLE WITHOUT THE WRITTEN PERMISSION OF HEATCO IS PROHIBITED.

UNLESS OTHERWISE SPECIFIED:		NAME	DATE
DIMENSIONS ARE IN INCHES		DRAWN	JPence 12/9/2016
TOLERANCES:		CHECKED	
FRACTIONAL ±		ENG APPR.	
ANGULAR: MACH ± BEND ±		MFG APPR.	
TWO PLACE DECIMAL ±		Q.A.	
THREE PLACE DECIMAL ±		COMMENTS:	
INTERPRET GEOMETRIC TOLERANCING PER:			
MATERIAL			
FINISH			
NEXT ASSY	USED ON		
APPLICATION	DO NOT SCALE DRAWING		

NAME	DATE
JPence	12/9/2016
DRAWN	
CHECKED	
ENG APPR.	
MFG APPR.	
Q.A.	
COMMENTS:	

**HEATCO** 50 Heatco Ct.  
Cartersville Ga 30120  
1-800-554-1007

TITLE:

SIZE **B** DWG. NO. EMA630-A-MR-CK REV

SCALE: 1:20 WEIGHT: SHEET 1 OF 1

8 7 6 5 4 3 2 1