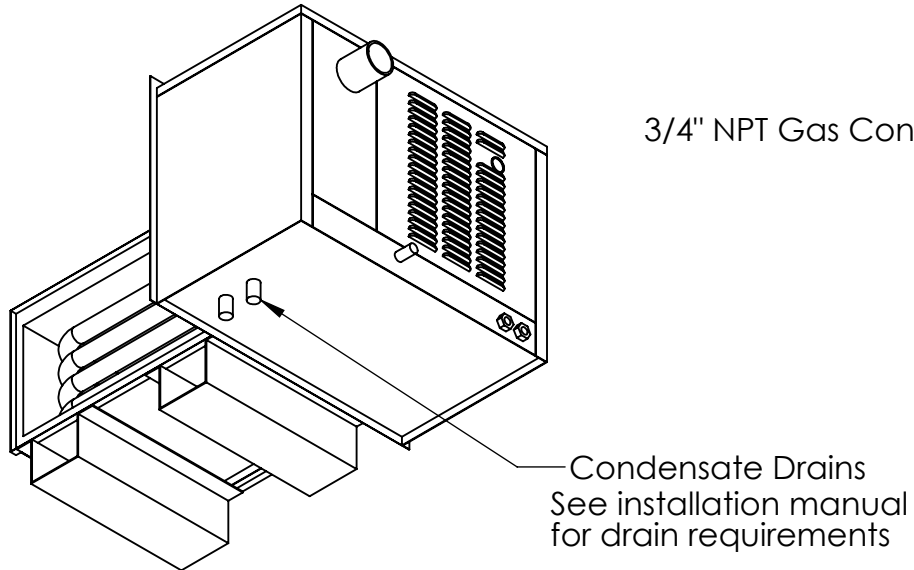
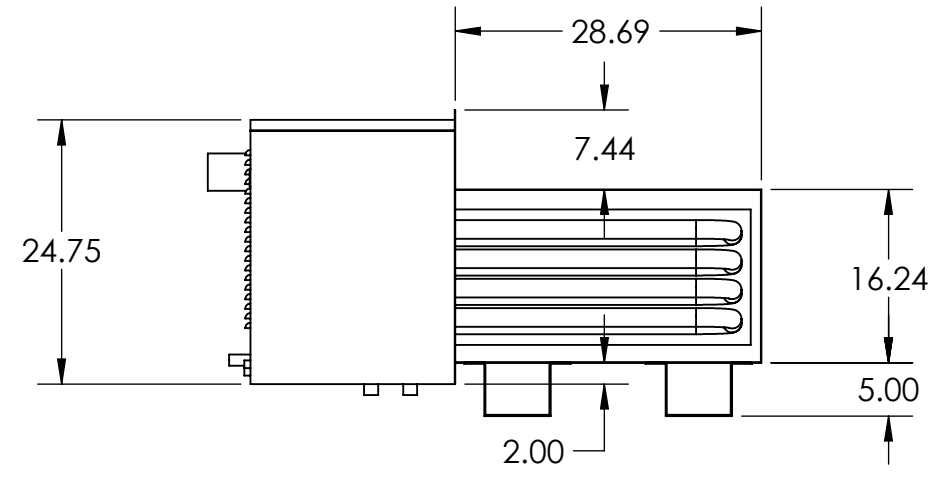
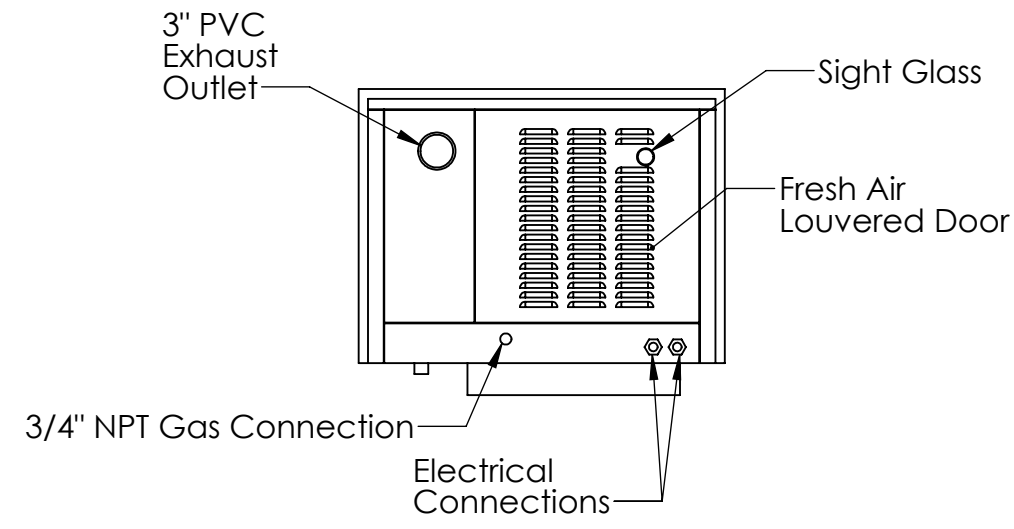
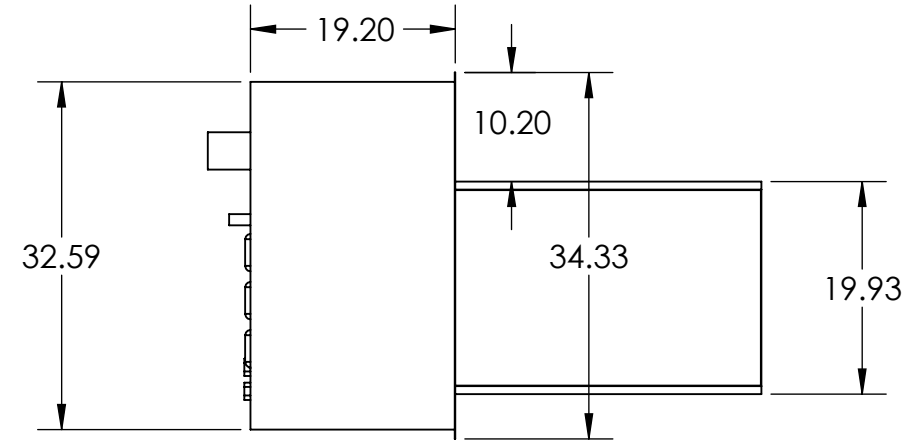
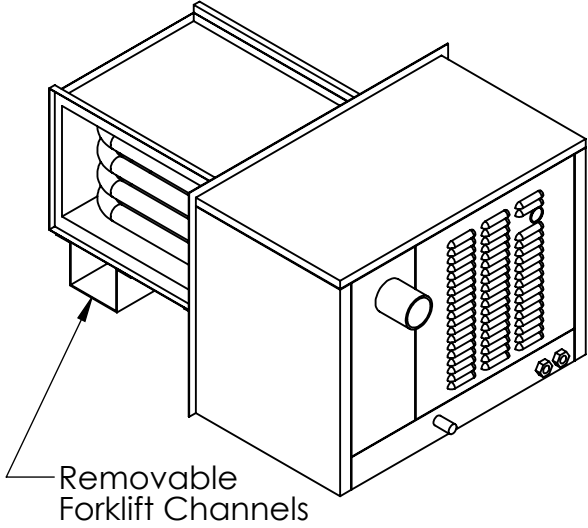


8 7 6 5 4 3 2 1

D  
C  
B  
A

D  
C  
B  
A



**PROPRIETARY AND CONFIDENTIAL**  
THE INFORMATION CONTAINED IN THIS DRAWING IS THE SOLE PROPERTY OF HEATCO INC. ANY REPRODUCTION IN PART OR AS A WHOLE WITHOUT THE WRITTEN PERMISSION OF HEATCO IS PROHIBITED.

		UNLESS OTHERWISE SPECIFIED:		NAME	DATE	<b>HEATCO</b>		50 Heatco Ct. Cartersville Ga 30120 1-800-554-1007	
		DIMENSIONS ARE IN INCHES TOLERANCES: FRACTIONAL ± ANGULAR: MACH ± BEND ± TWO PLACE DECIMAL ± THREE PLACE DECIMAL ±		DRAWN	JPence	12/9/2016	TITLE:		
		INTERPRET GEOMETRIC TOLERANCING PER:		CHECKED			SIZE DWG. NO. REV		
		MATERIAL		ENG APPR.			<b>B</b> EMG090-A-MD-CK		
NEXT ASSY	USED ON	FINISH		MFG APPR.			SCALE: 1:18 WEIGHT: SHEET 1 OF 1		
APPLICATION		DO NOT SCALE DRAWING		Q.A.					
				COMMENTS:					

8 7 6 5 4 3 2 1