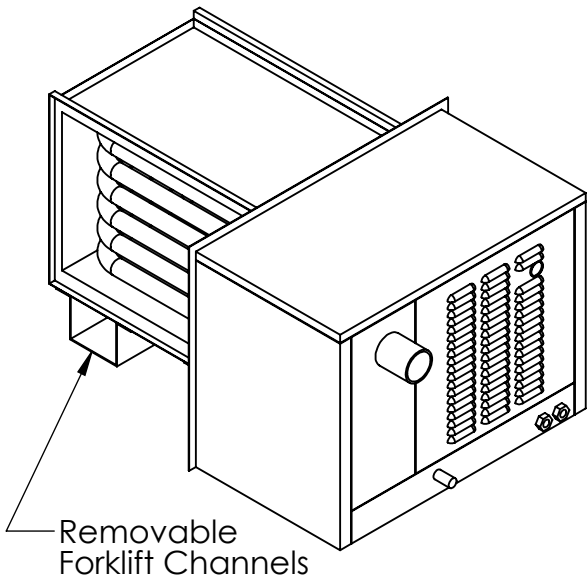


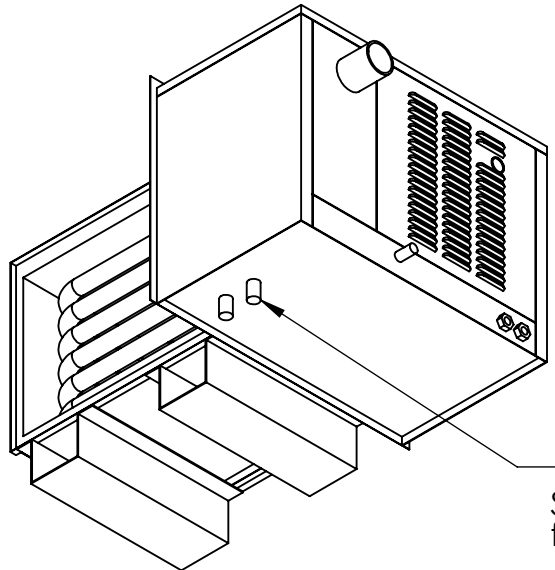
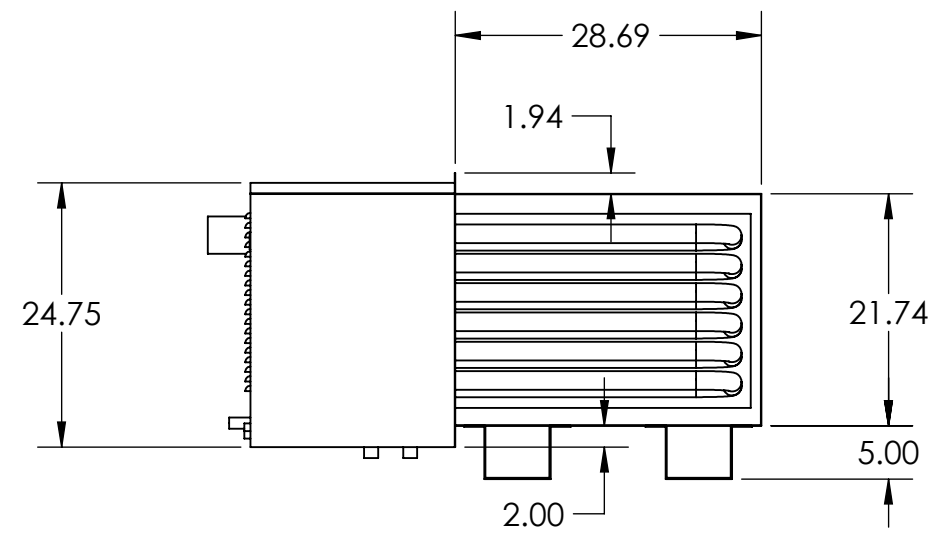
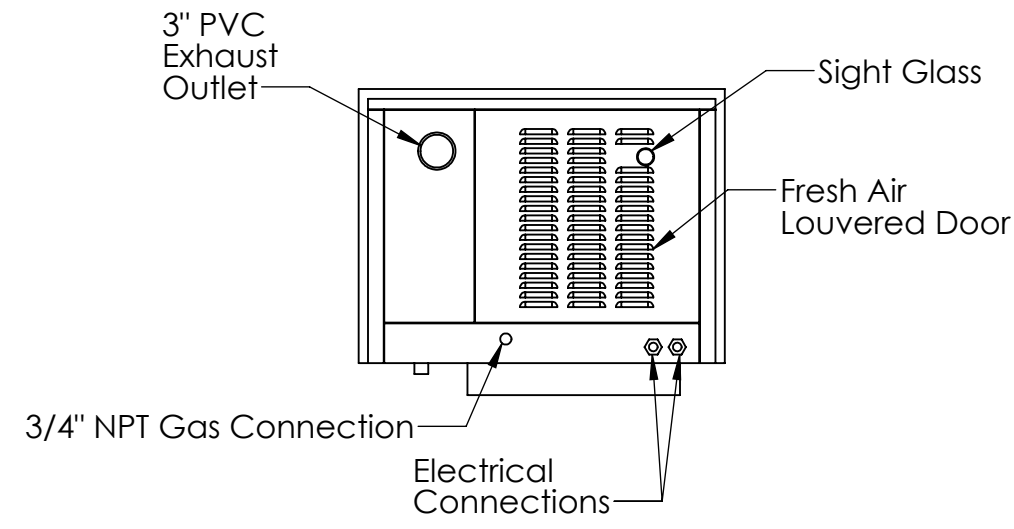
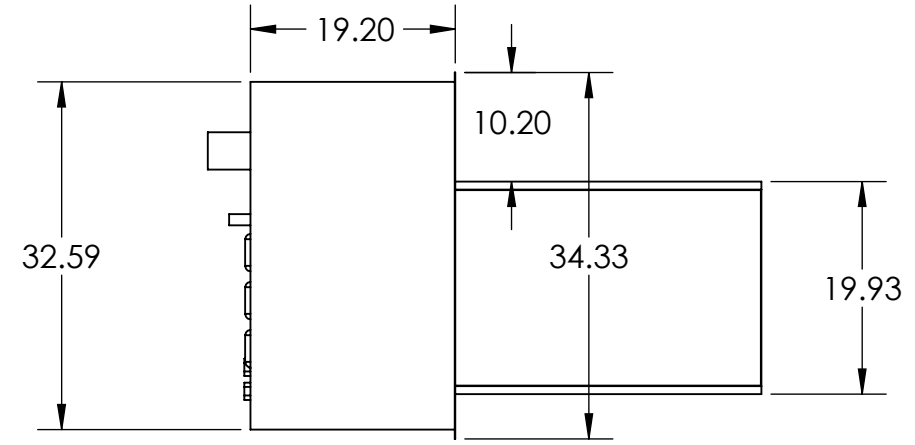
8 7 6 5 4 3 2 1

D
C
B
A

D
C
B
A



Removable Forklift Channels



Condensate Drains
See installation manual
for drain requirements

PROPRIETARY AND CONFIDENTIAL
THE INFORMATION CONTAINED IN THIS DRAWING IS THE SOLE PROPERTY OF HEATCO INC. ANY REPRODUCTION IN PART OR AS A WHOLE WITHOUT THE WRITTEN PERMISSION OF HEATCO IS PROHIBITED.

		UNLESS OTHERWISE SPECIFIED:		NAME	DATE
		DIMENSIONS ARE IN INCHES	DRAWN	JPence	12/9/2016
		TOLERANCES:	CHECKED		
		FRACTIONAL ±	ENG APPR.		
		ANGULAR: MACH ± BEND ±	MFG APPR.		
		TWO PLACE DECIMAL ±	Q.A.		
		THREE PLACE DECIMAL ±	COMMENTS:		
		INTERPRET GEOMETRIC TOLERANCING PER:			
		MATERIAL			
		FINISH			
NEXT ASSY	USED ON				
APPLICATION		DO NOT SCALE DRAWING			

	NAME	DATE
	JPence	12/9/2016

HEATCO 50 Heatco Ct.
Cartersville Ga 30120
1-800-554-1007

TITLE:

SIZE	DWG. NO.	REV
B	EMG135-A-MD-CK	

SCALE: 1:18 WEIGHT: SHEET 1 OF 1

8 7 6 5 4 3 2 1