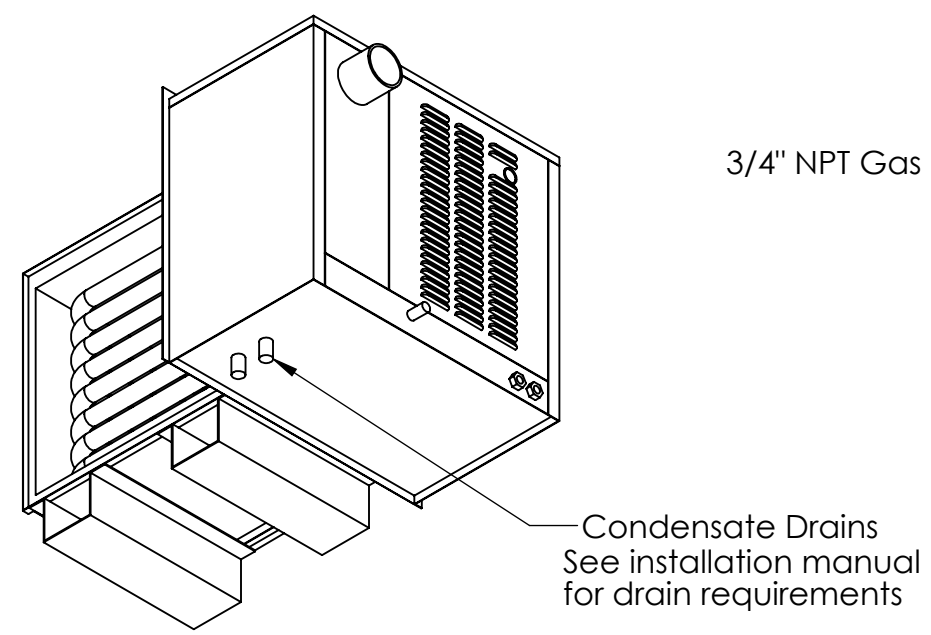
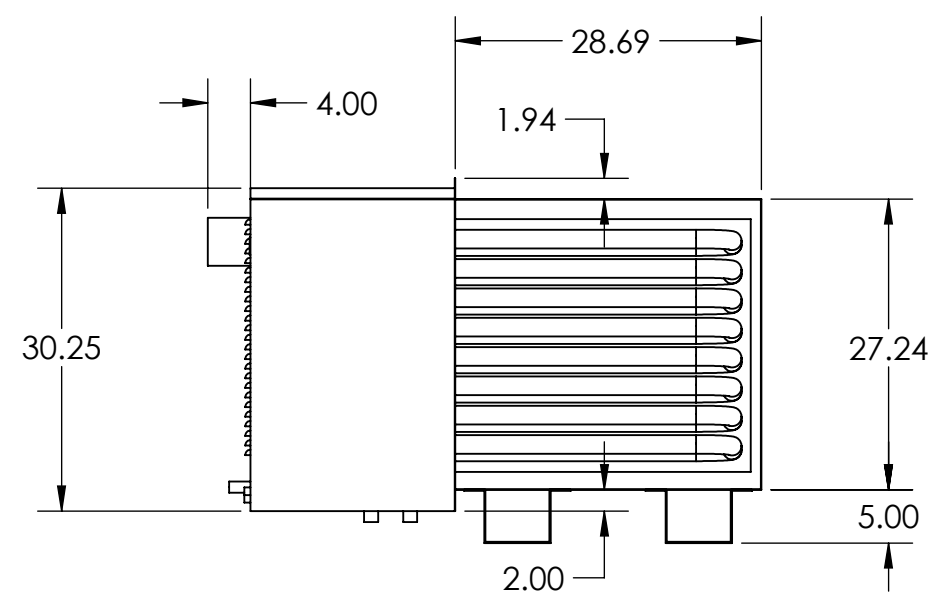
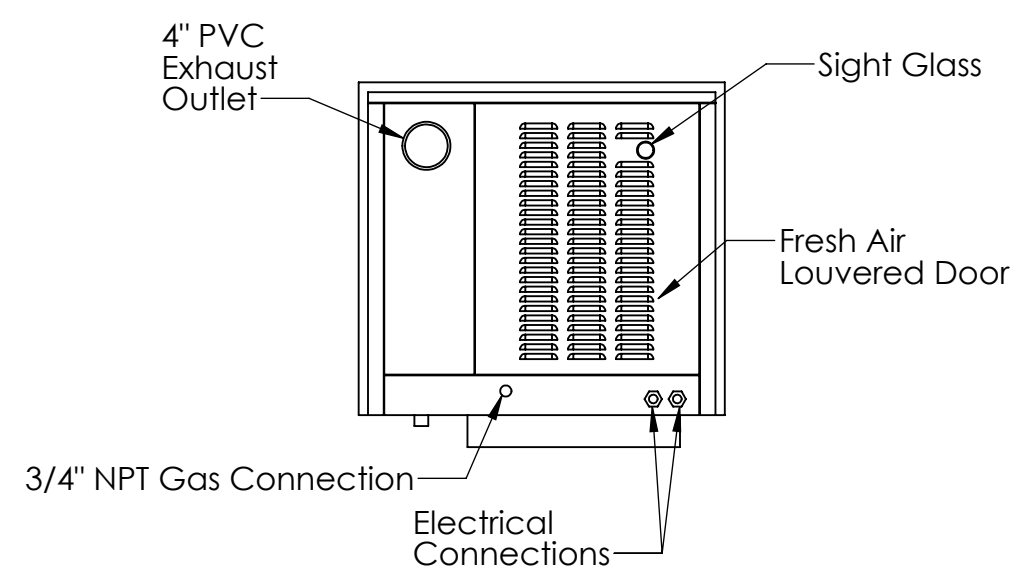
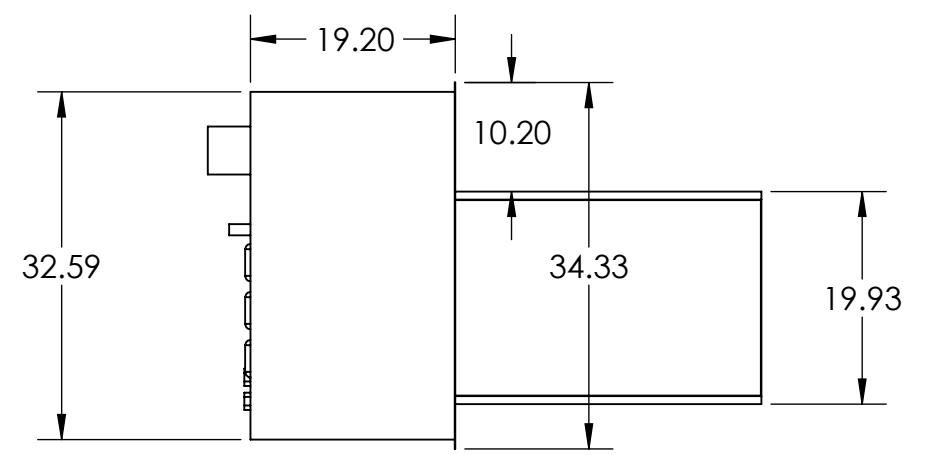
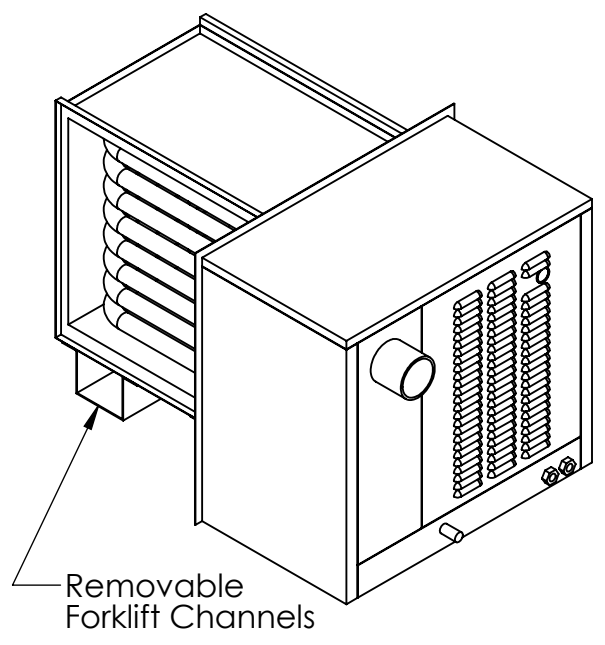


8 7 6 5 4 3 2 1

D
C
B
A

D
C
B
A



PROPRIETARY AND CONFIDENTIAL
THE INFORMATION CONTAINED IN THIS DRAWING IS THE SOLE PROPERTY OF HEATCO INC. ANY REPRODUCTION IN PART OR AS A WHOLE WITHOUT THE WRITTEN PERMISSION OF HEATCO IS PROHIBITED.

		UNLESS OTHERWISE SPECIFIED:		NAME	DATE	HEATCO		50 Heatco Ct. Cartersville Ga 30120 1-800-554-1007	
		DIMENSIONS ARE IN INCHES		DRAWN	JPence	12/9/2016	TITLE:		
		TOLERANCES:		CHECKED			SIZE		DWG. NO.
		FRACTIONAL ±		ENG APPR.			B		EMG180-A-TS-CK
		ANGULAR: MACH ± BEND ±		MFG APPR.			SCALE: 1:18		WEIGHT:
		TWO PLACE DECIMAL ±		Q.A.			SHEET 1 OF 1		
		THREE PLACE DECIMAL ±		COMMENTS:					
		INTERPRET GEOMETRIC TOLERANCING PER:							
		MATERIAL							
		FINISH							
NEXT ASSY	USED ON	DO NOT SCALE DRAWING							

8 7 6 5 4 3 2 1