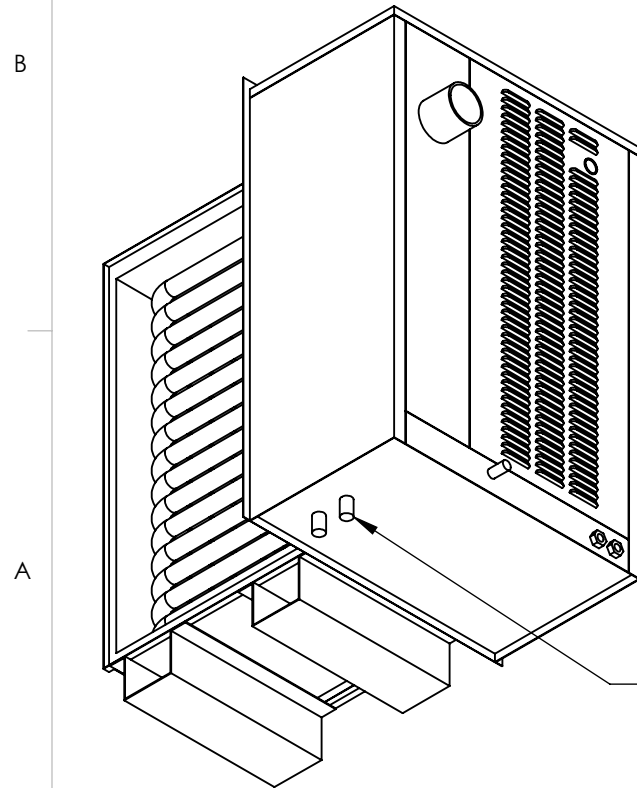
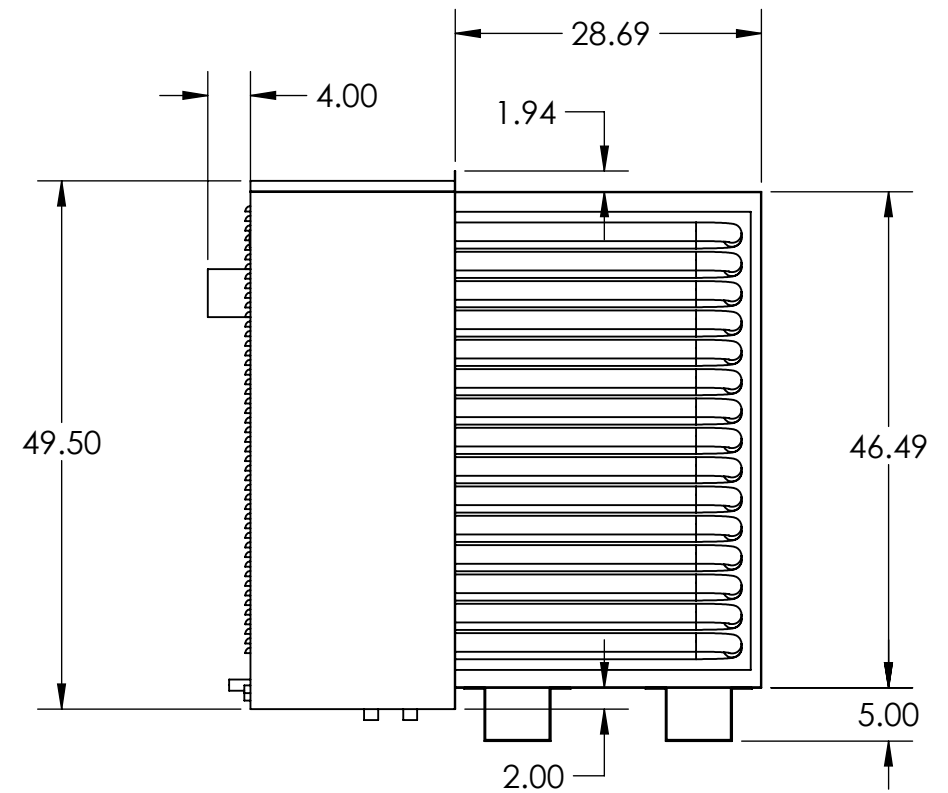
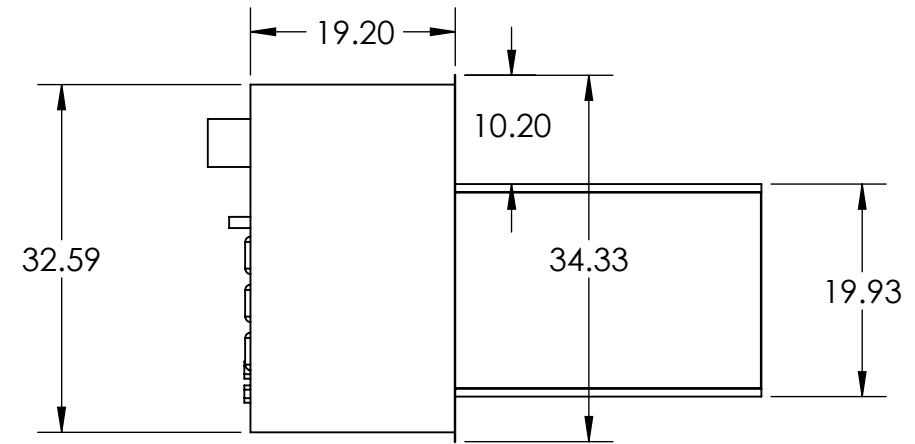
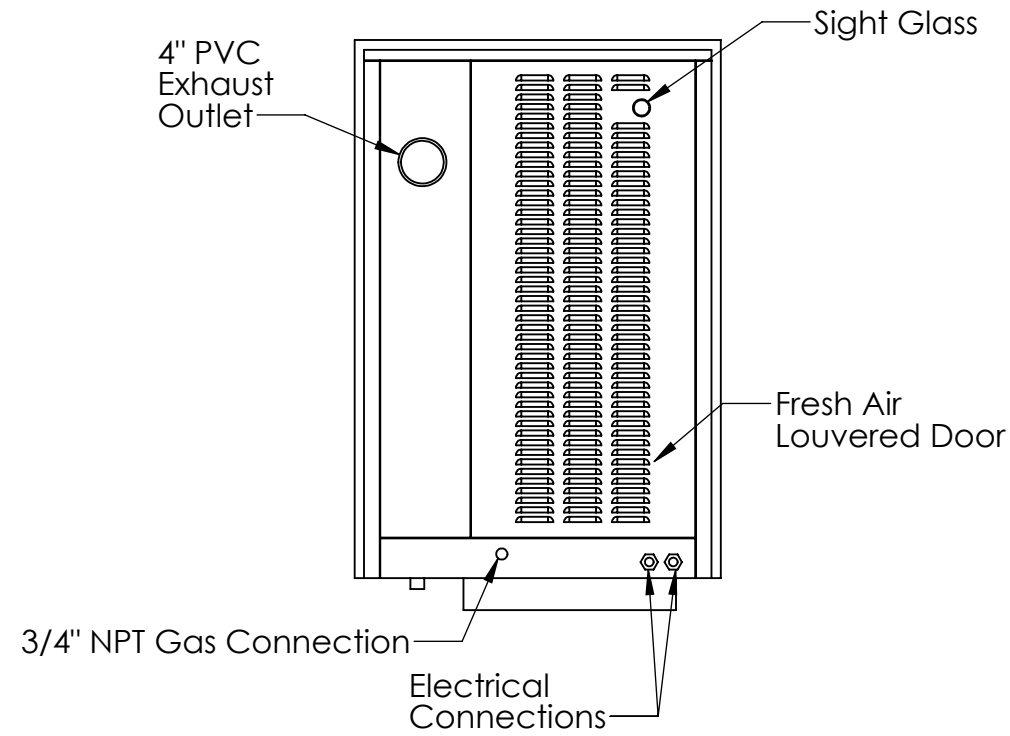


Removable Forklift Channels



Condensate Drains
See installation manual for drain requirements



PROPRIETARY AND CONFIDENTIAL
THE INFORMATION CONTAINED IN THIS DRAWING IS THE SOLE PROPERTY OF HEATCO INC. ANY REPRODUCTION IN PART OR AS A WHOLE WITHOUT THE WRITTEN PERMISSION OF HEATCO IS PROHIBITED.

		UNLESS OTHERWISE SPECIFIED:		NAME	DATE	HEATCO		50 Heatco Ct. Cartersville Ga 30120 1-800-554-1007	
		DIMENSIONS ARE IN INCHES		DRAWN	JPence	12/9/2016	TITLE:		
		TOLERANCES:		CHECKED			SIZE		
		FRACTIONAL ±		ENG APPR.			DWG. NO.		REV
		ANGULAR: MACH ± BEND ±		MFG APPR.			EMG360-A-MA-CK		
		TWO PLACE DECIMAL ±		Q.A.			SCALE: 1:18		WEIGHT:
		THREE PLACE DECIMAL ±		COMMENTS:			SHEET 1 OF 1		
		INTERPRET GEOMETRIC TOLERANCING PER:							
		MATERIAL							
		FINISH							
NEXT ASSY	USED ON	APPLICATION		DO NOT SCALE DRAWING					