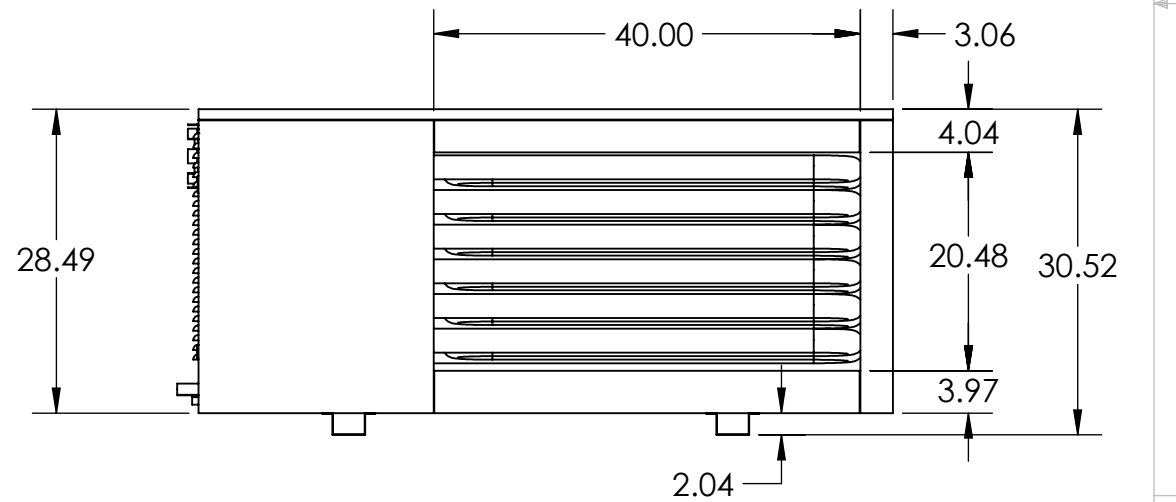
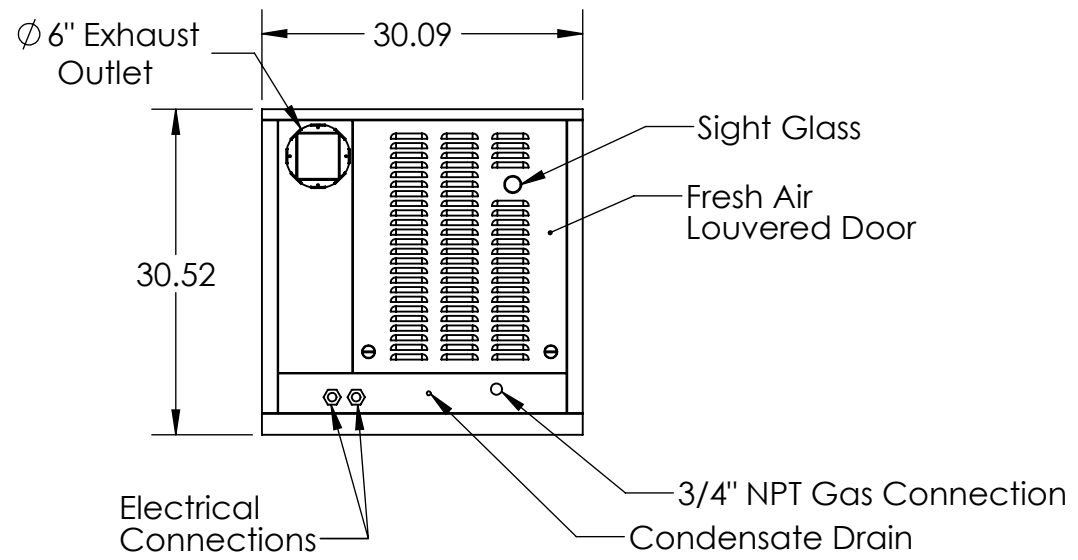
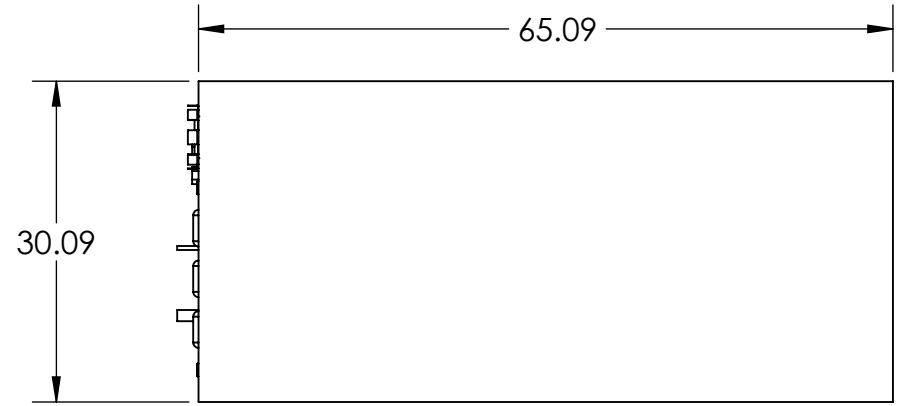


REVISIONS			
REV.	DESCRIPTION	DATE	APPROVED



**PROPRIETARY AND CONFIDENTIAL**  
 THE INFORMATION CONTAINED IN THIS DRAWING IS THE SOLE PROPERTY OF HEATCO INC. ANY REPRODUCTION IN PART OR AS A WHOLE WITHOUT THE WRITTEN PERMISSION OF HEATCO IS PROHIBITED.

		UNLESS OTHERWISE SPECIFIED:
		DIMENSIONS ARE IN INCHES
		TOLERANCES:
		FRACTIONAL ±
		ANGULAR: MACH ± BEND ±
		TWO PLACE DECIMAL ±
		THREE PLACE DECIMAL ±
		INTERPRET GEOMETRIC TOLERANCING PER:
		MATERIAL
		FINISH
		DO NOT SCALE DRAWING
NEXT ASSY	USED ON	
APPLICATION		

	NAME	DATE
DRAWN	JPence	12/18/2017
CHECKED		
ENG APPR.		
MFG APPR.		
	Q.A.	
	COMMENTS:	

**HEATCO** 50 Heatco Ct.  
 Cartersville Ga 30120  
 1-800-554-1007

TITLE:  

SIZE	DWG. NO.	REV
<b>B</b>	HDA250-06-B-KF	

SCALE: 1:18 WEIGHT:  

SHEET 1 OF 1