

8

7

6

5

4

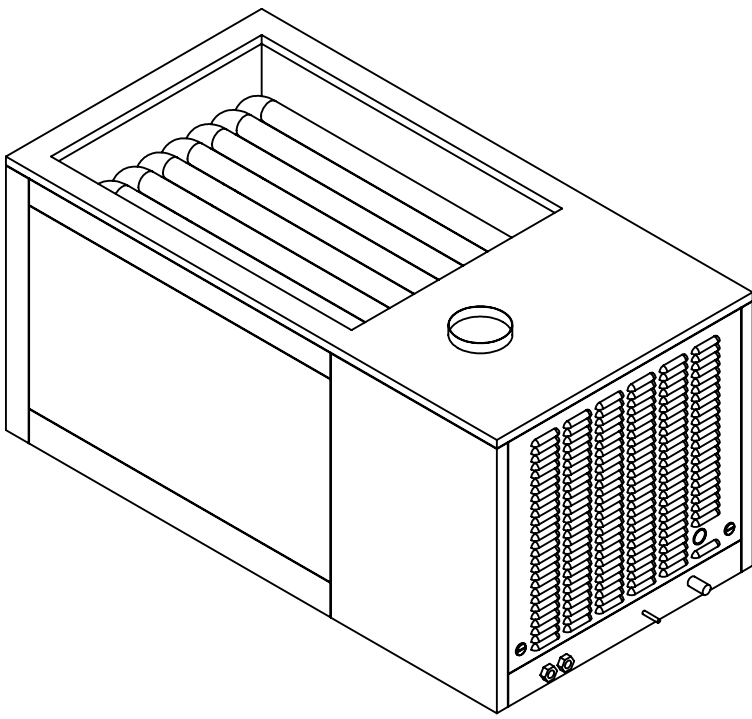
3

2

1

REVISIONS			
REV.	DESCRIPTION	DATE	APPROVED

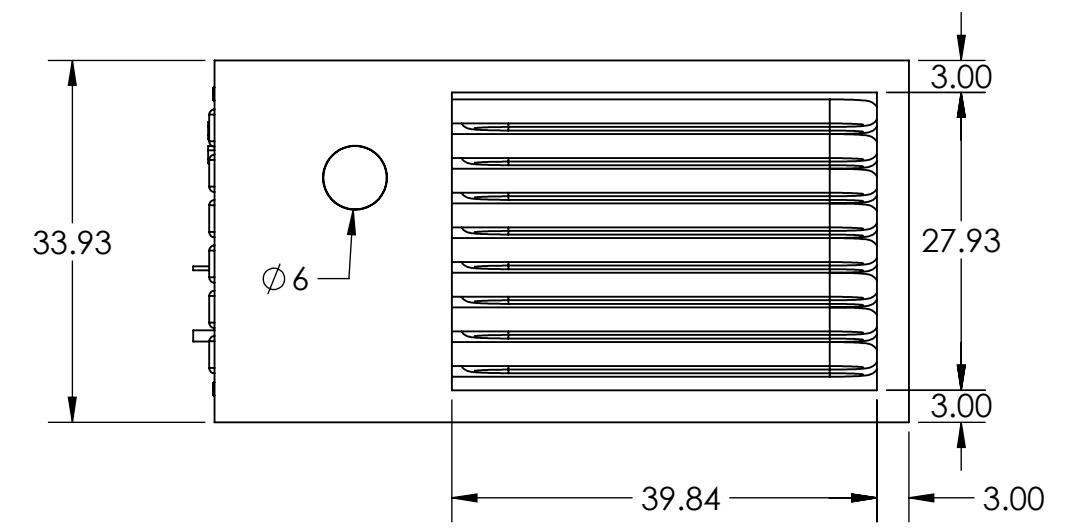
D



D

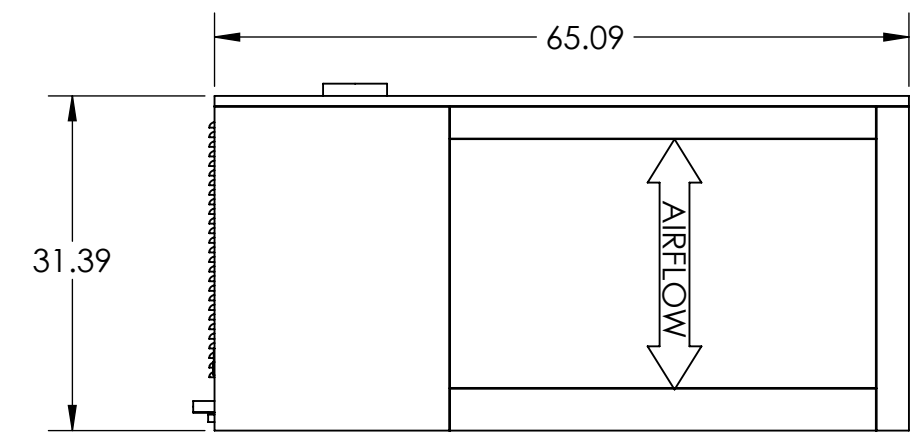
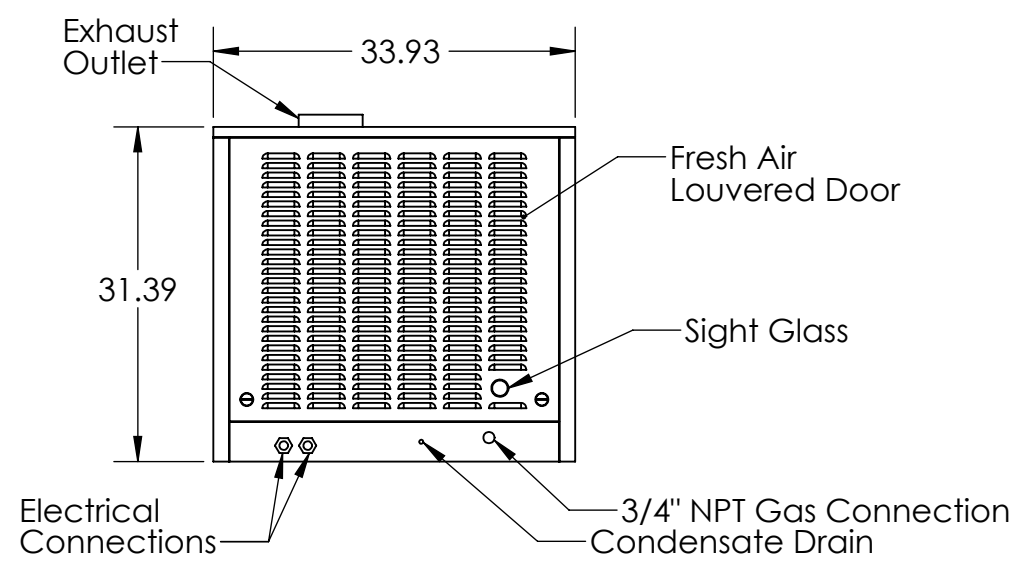
C

C



B

B



A

A

PROPRIETARY AND CONFIDENTIAL
 THE INFORMATION CONTAINED IN THIS DRAWING IS THE SOLE PROPERTY OF HEATCO INC. ANY REPRODUCTION IN PART OR AS A WHOLE WITHOUT THE WRITTEN PERMISSION OF HEATCO IS PROHIBITED.

UNLESS OTHERWISE SPECIFIED:		NAME	DATE	<h1>HEATCO</h1> 50 Heatco Ct. Cartersville Ga 30120 1-800-554-1007
DIMENSIONS ARE IN INCHES		DRAWN	JPence 12/18/2017	
TOLERANCES:		CHECKED		
FRACTIONAL ±		ENG APPR.		
ANGULAR: MACH ± BEND ±		MFG APPR.		
TWO PLACE DECIMAL ±		Q.A.		
THREE PLACE DECIMAL ±		COMMENTS:		
INTERPRET GEOMETRIC TOLERANCING PER:				
MATERIAL				
FINISH				
NEXT ASSY	USED ON			
APPLICATION		DO NOT SCALE DRAWING		

TITLE:		
SIZE	DWG. NO.	REV
B	HDA350-08-F-KT	
SCALE: 1:18 WEIGHT:		SHEET 1 OF 1

8

7

6

5

4

3

2

1