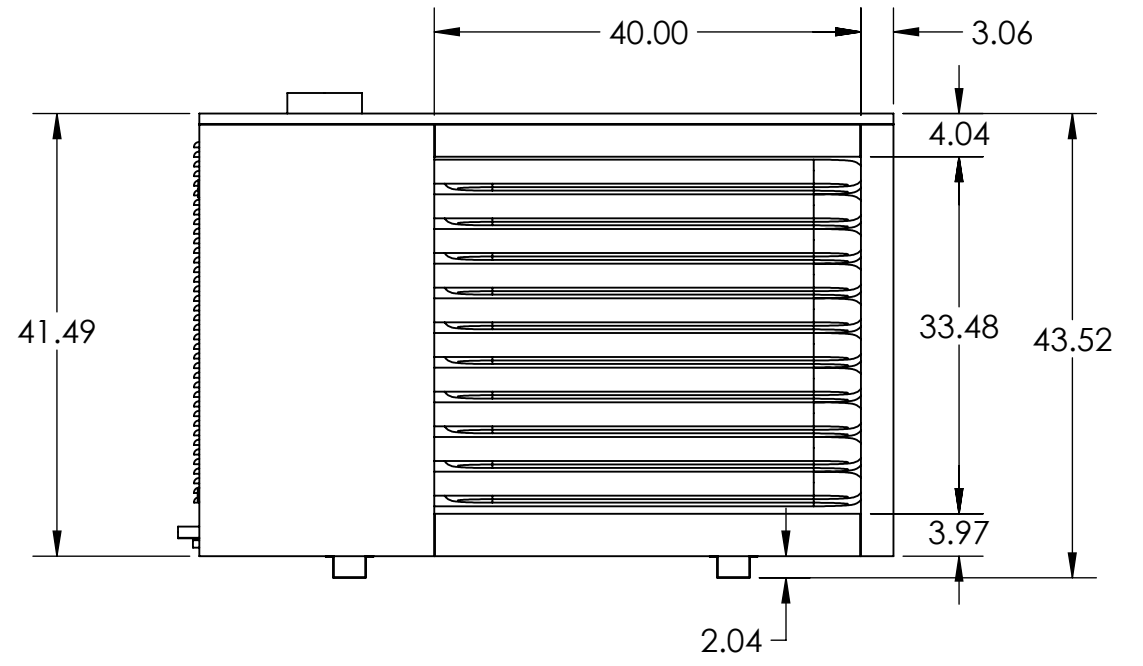
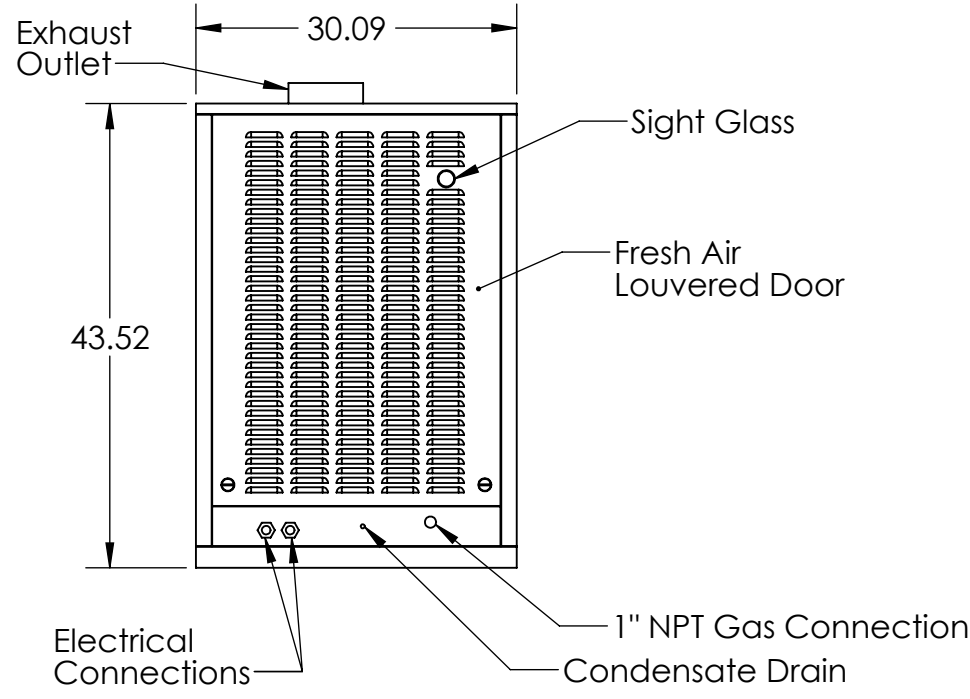
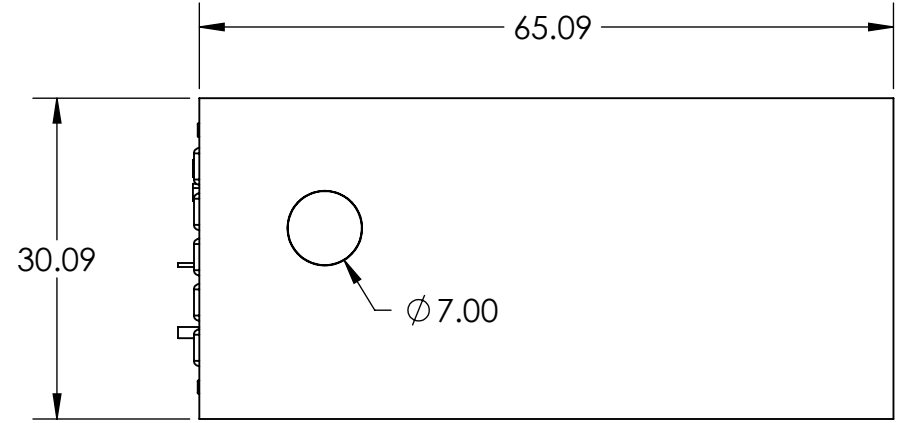


REVISIONS			
REV.	DESCRIPTION	DATE	APPROVED



PROPRIETARY AND CONFIDENTIAL
 THE INFORMATION CONTAINED IN THIS DRAWING IS THE SOLE PROPERTY OF HEATCO INC. ANY REPRODUCTION IN PART OR AS A WHOLE WITHOUT THE WRITTEN PERMISSION OF HEATCO IS PROHIBITED.

UNLESS OTHERWISE SPECIFIED:		NAME	DATE	HEATCO 50 Heatco Ct. Cartersville Ga 30120 1-800-554-1007
DIMENSIONS ARE IN INCHES TOLERANCES: FRACTIONAL ± ANGULAR: MACH ± BEND ± TWO PLACE DECIMAL ± THREE PLACE DECIMAL ±		DRAWN	12/18/2017	
INTERPRET GEOMETRIC TOLERANCING PER:		CHECKED		TITLE:
MATERIAL		ENG APPR.		SIZE B
FINISH		MFG APPR.		DWG. NO. HDA500-B-KT
NEXT ASSY	USED ON	Q.A.		REV
APPLICATION		COMMENTS:		SCALE: 1:18 WEIGHT:
DO NOT SCALE DRAWING				SHEET 1 OF 1