

8

7

6

5

4

3

2

1

D

D

C

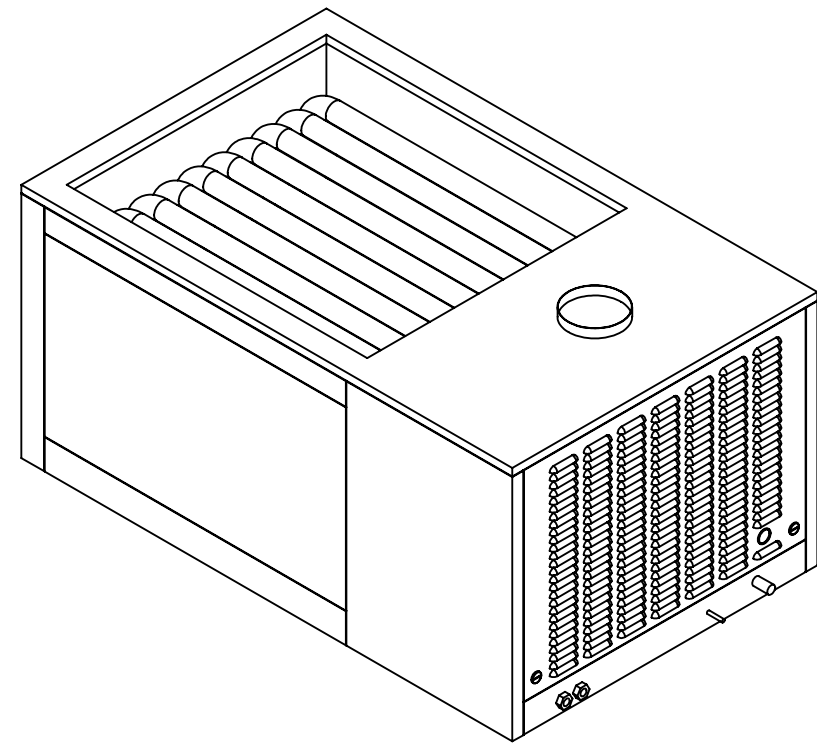
C

B

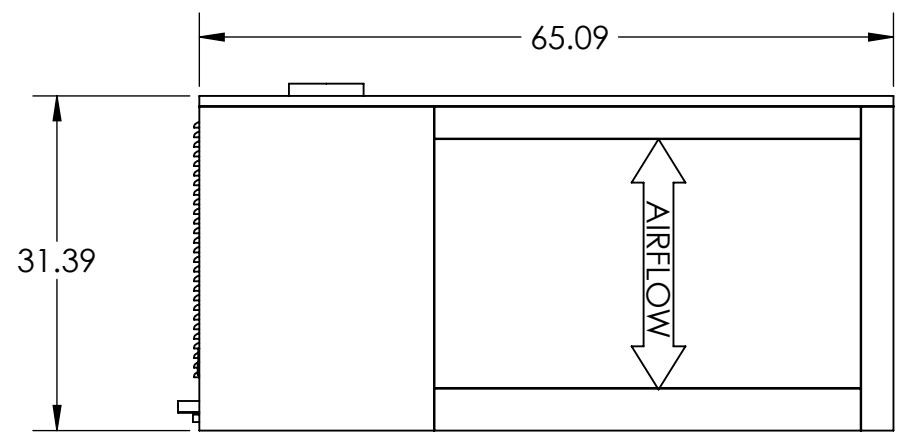
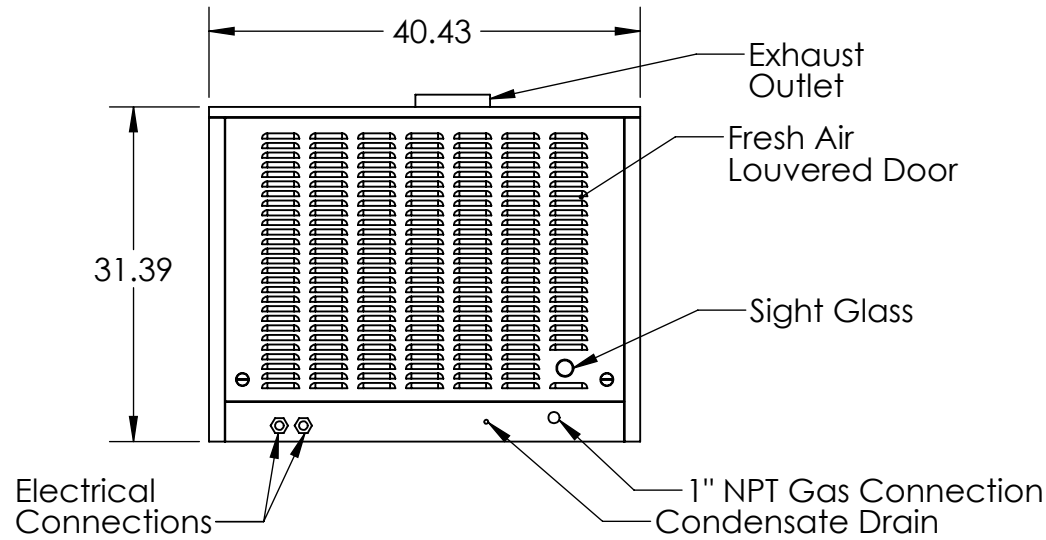
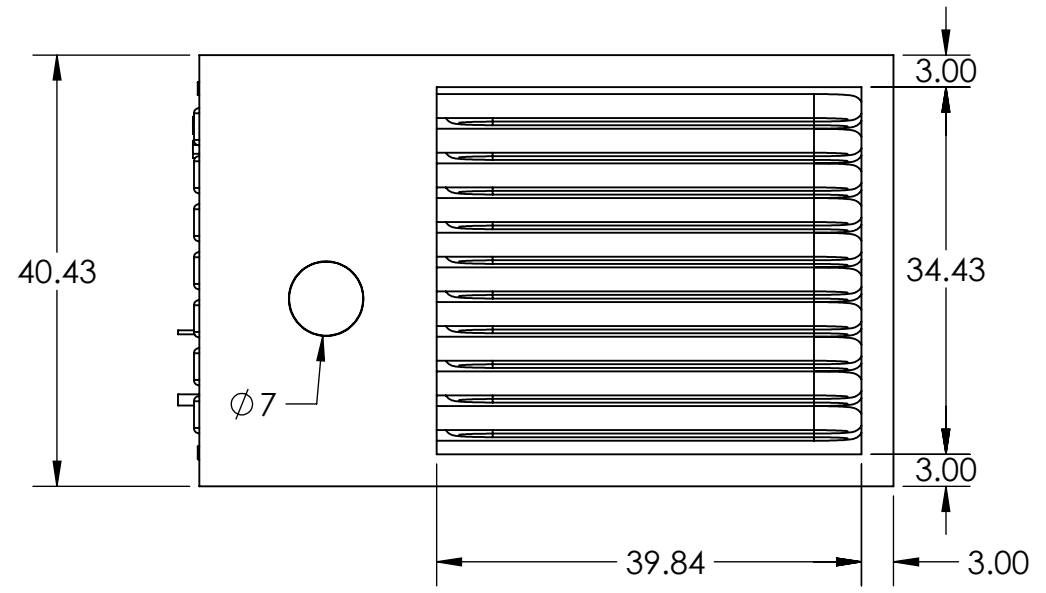
B

A

A



REVISIONS			
REV.	DESCRIPTION	DATE	APPROVED



PROPRIETARY AND CONFIDENTIAL
 THE INFORMATION CONTAINED IN THIS DRAWING IS THE SOLE PROPERTY OF HEATCO INC. ANY REPRODUCTION IN PART OR AS A WHOLE WITHOUT THE WRITTEN PERMISSION OF HEATCO IS PROHIBITED.

		UNLESS OTHERWISE SPECIFIED:
		DIMENSIONS ARE IN INCHES
		TOLERANCES:
		FRACTIONAL ±
		ANGULAR: MACH ± BEND ±
		TWO PLACE DECIMAL ±
		THREE PLACE DECIMAL ±
		INTERPRET GEOMETRIC TOLERANCING PER:
		MATERIAL
		FINISH
NEXT ASSY	USED ON	DO NOT SCALE DRAWING
APPLICATION		

NAME	DATE
JPence	12/18/2017
DRAWN	
CHECKED	
ENG APPR.	
MFG APPR.	
Q.A.	
COMMENTS:	

HEATCO 50 Heatco Ct.
 Cartersville Ga 30120
 1-800-554-1007

TITLE:

SIZE **B** DWG. NO. HDA500-F-KT REV

SCALE: 1:18 WEIGHT: SHEET 1 OF 1