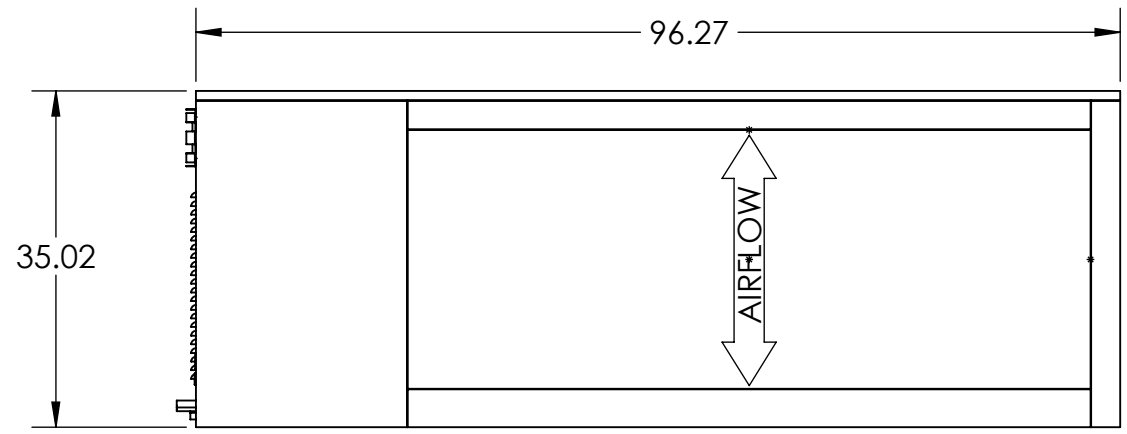
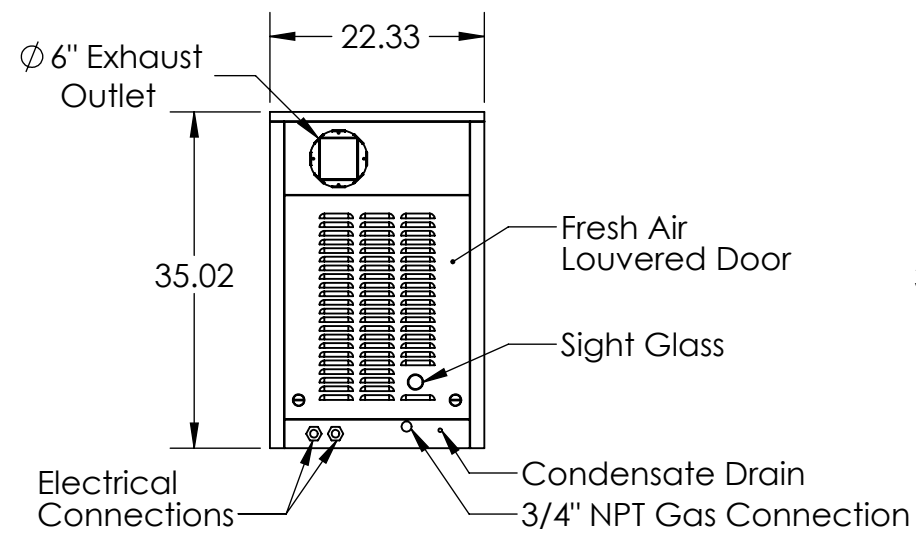
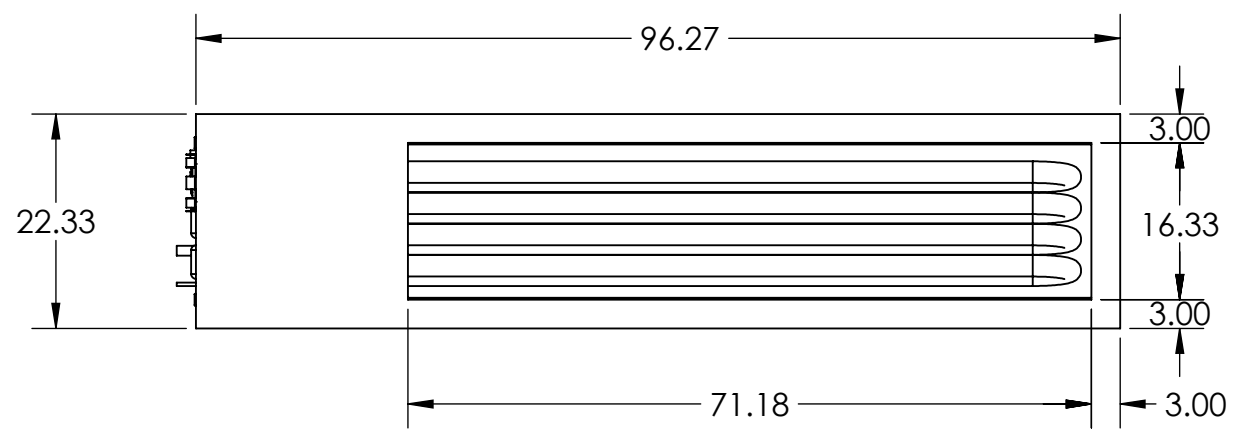
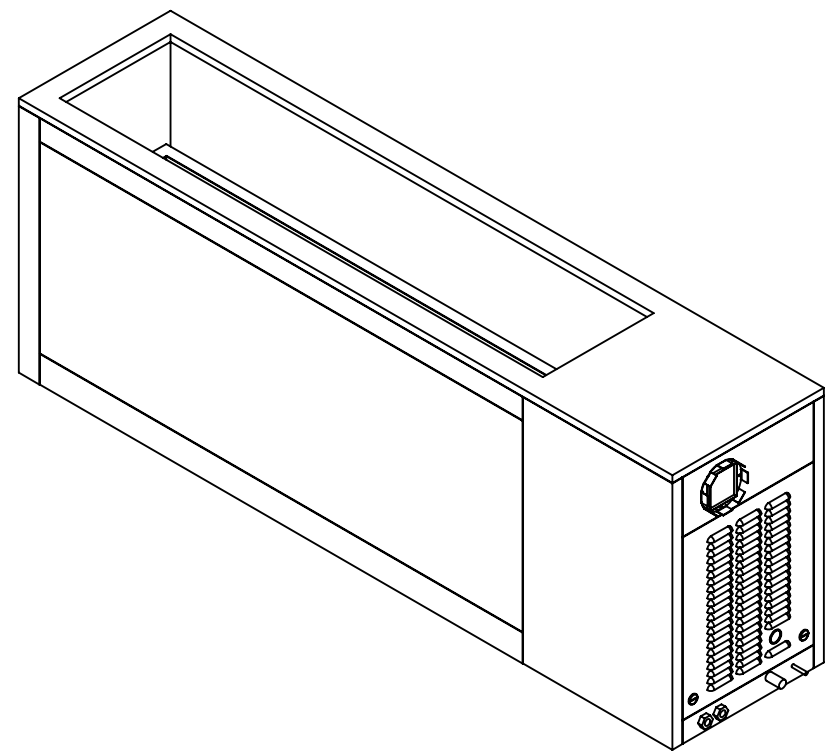


8 7 6 5 4 3 2 1

REVISIONS			
REV.	DESCRIPTION	DATE	APPROVED



D
C
B
A

D
C
B
A

PROPRIETARY AND CONFIDENTIAL
 THE INFORMATION CONTAINED IN THIS DRAWING IS THE SOLE PROPERTY OF HEATCO INC. ANY REPRODUCTION IN PART OR AS A WHOLE WITHOUT THE WRITTEN PERMISSION OF HEATCO IS PROHIBITED.

		UNLESS OTHERWISE SPECIFIED:		NAME	DATE	<h1>HEATCO</h1> 50 Heatco Ct. Cartersville Ga 30120 1-800-554-1007		
		DIMENSIONS ARE IN INCHES		DRAWN	JPence			1/11/2018
		TOLERANCES:		CHECKED				
		FRACTIONAL ±		ENG APPR.				
		ANGULAR: MACH ± BEND ±		MFG APPR.				
		TWO PLACE DECIMAL ±		Q.A.			TITLE:	
		THREE PLACE DECIMAL ±		COMMENTS:			SIZE	
		INTERPRET GEOMETRIC TOLERANCING PER:					DWG. NO.	
		MATERIAL					HDB200-F-KF	
		FINISH					REV	
NEXT ASSY	USED ON	DO NOT SCALE DRAWING					SCALE: 1:20	
APPLICATION							WEIGHT:	
							SHEET 1 OF 1	

8 7 6 5 4 3 2 1