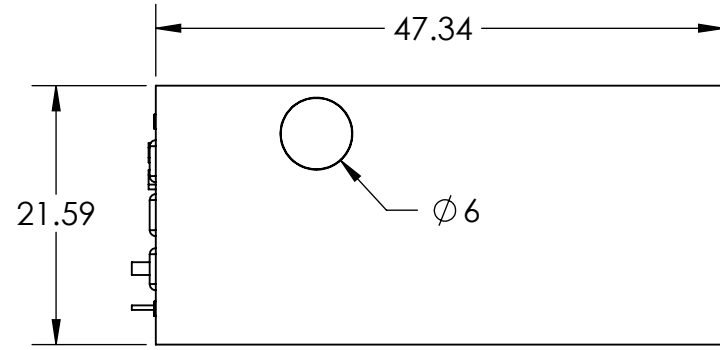
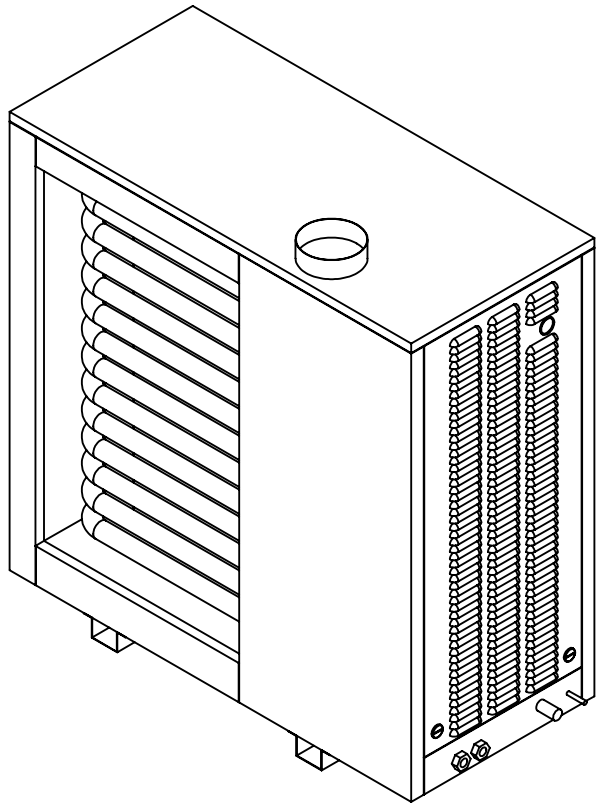


8 7 6 5 4 3 2 1

REVISIONS			
REV.	DESCRIPTION	DATE	APPROVED



D

D

C

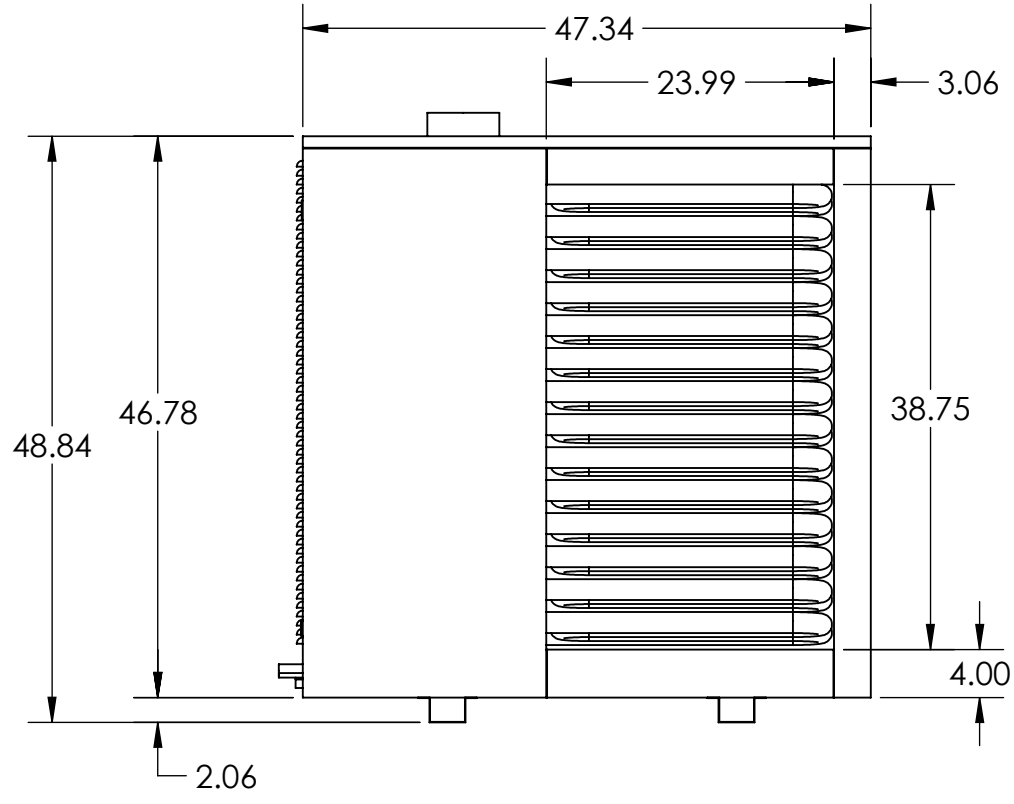
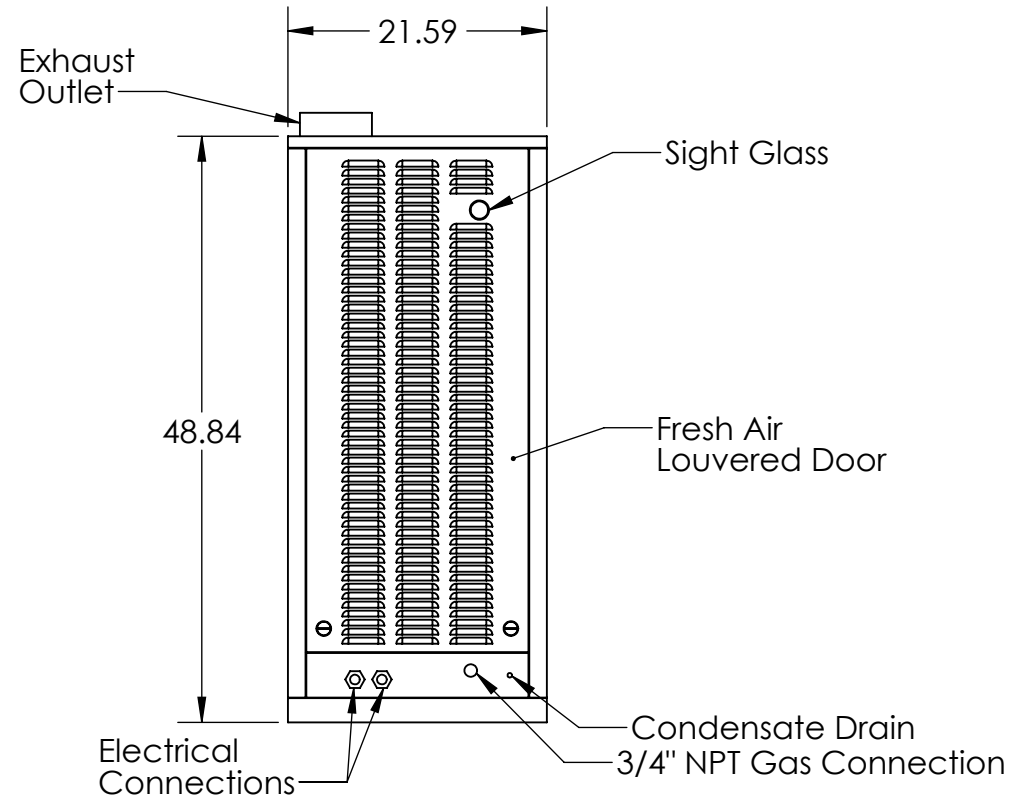
C

B

B

A

A



**PROPRIETARY AND CONFIDENTIAL**  
 THE INFORMATION CONTAINED IN THIS DRAWING IS THE SOLE PROPERTY OF HEATCO INC. ANY REPRODUCTION IN PART OR AS A WHOLE WITHOUT THE WRITTEN PERMISSION OF HEATCO IS PROHIBITED.

		UNLESS OTHERWISE SPECIFIED:				NAME		DATE		50 Heatco Ct. Cartersville Ga 30120 1-800-554-1007	
		DIMENSIONS ARE IN INCHES		DRAWN		JPence		12/18/2017		HEATCO	
		TOLERANCES:		CHECKED						TITLE:	
		FRACTIONAL ±		ENG APPR.						SIZE	
		ANGULAR: MACH ± BEND ±		MFG APPR.						DWG. NO.	
		TWO PLACE DECIMAL ±		Q.A.						REV	
		THREE PLACE DECIMAL ±		COMMENTS:						HDG350-B-KT	
		INTERPRET GEOMETRIC TOLERANCING PER:								SCALE: 1:16 WEIGHT:	
		MATERIAL								SHEET 1 OF 1	
		FINISH		NEXT ASSY		USED ON					
		DO NOT SCALE DRAWING		APPLICATION							

8 7 6 5 4 3 2 1