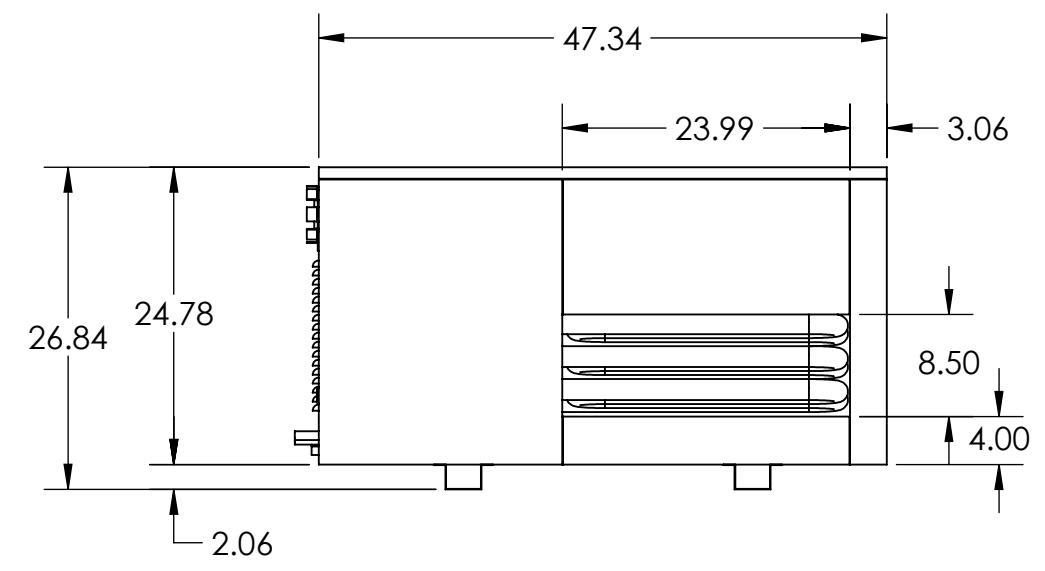
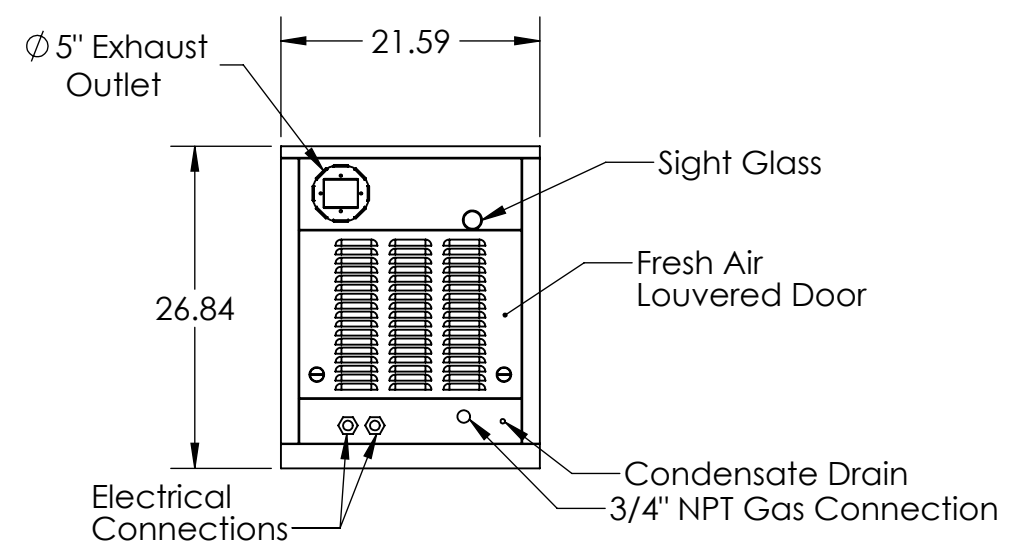
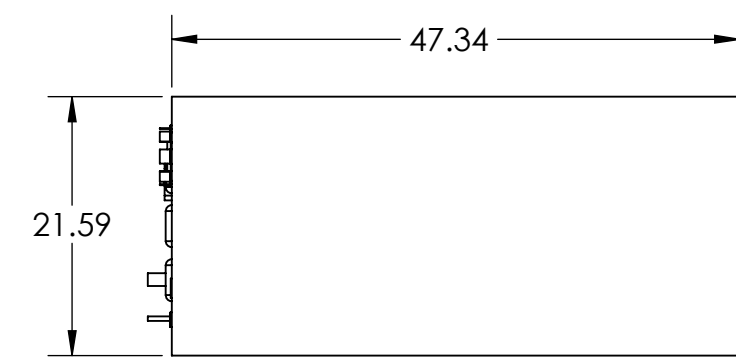




REVISIONS			
REV.	DESCRIPTION	DATE	APPROVED



<p>PROPRIETARY AND CONFIDENTIAL THE INFORMATION CONTAINED IN THIS DRAWING IS THE SOLE PROPERTY OF HEATCO INC. ANY REPRODUCTION IN PART OR AS A WHOLE WITHOUT THE WRITTEN PERMISSION OF HEATCO IS PROHIBITED.</p>		UNLESS OTHERWISE SPECIFIED:		NAME	DATE	<h1>HEATCO</h1> <p>50 Heatco Ct. Cartersville Ga 30120 1-800-554-1007</p>
		DIMENSIONS ARE IN INCHES TOLERANCES: FRACTIONAL ± ANGULAR: MACH ± BEND ± TWO PLACE DECIMAL ± THREE PLACE DECIMAL ±		DRAWN	JPence	
NEXT ASSY		USED ON		CHECKED		TITLE:
APPLICATION		DO NOT SCALE DRAWING		ENG APPR.		SIZE
				MFG APPR.		DWG. NO.
				Q.A.		REV
				COMMENTS:		SCALE: 1:16 WEIGHT:
						SHEET 1 OF 1