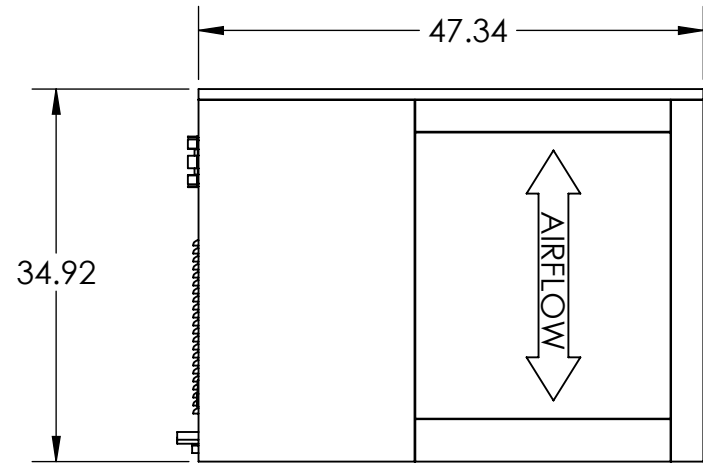
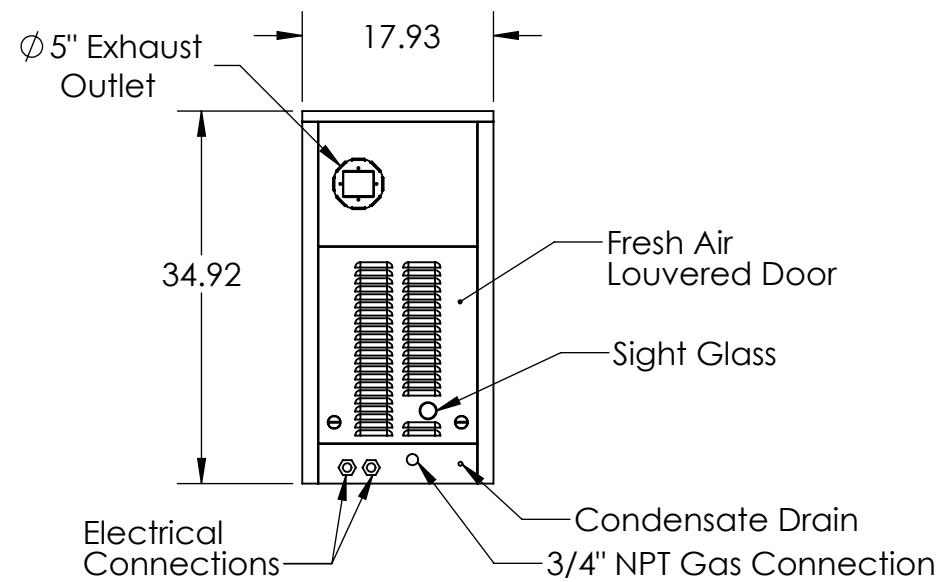
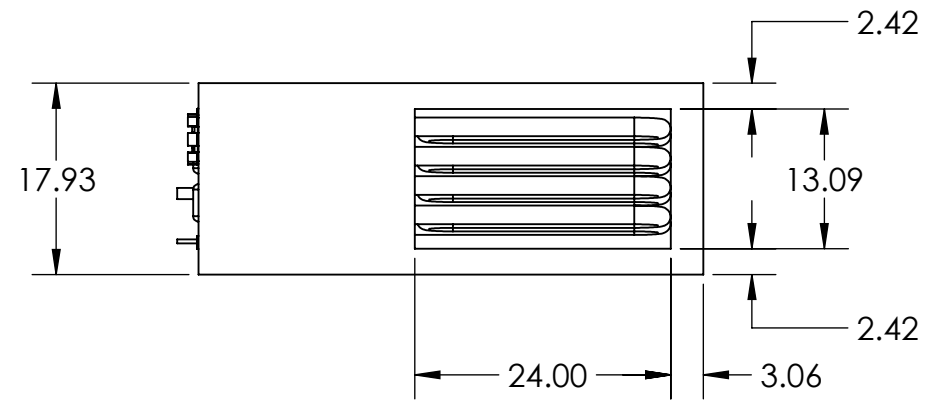
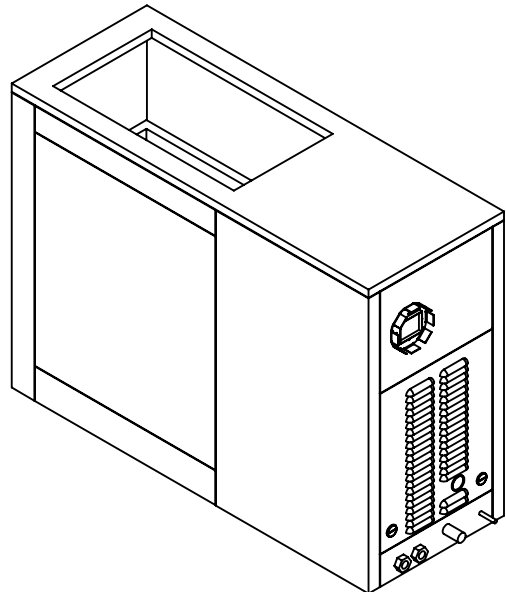


8 7 6 5 4 3 2 1

REVISIONS			
REV.	DESCRIPTION	DATE	APPROVED



PROPRIETARY AND CONFIDENTIAL
 THE INFORMATION CONTAINED IN THIS DRAWING IS THE SOLE PROPERTY OF HEATCO INC. ANY REPRODUCTION IN PART OR AS A WHOLE WITHOUT THE WRITTEN PERMISSION OF HEATCO IS PROHIBITED.

UNLESS OTHERWISE SPECIFIED:		NAME	DATE	HEATCO 50 Heatco Ct. Cartersville Ga 30120 1-800-554-1007 TITLE:
DIMENSIONS ARE IN INCHES		DRAWN	JPence 12/18/2017	
TOLERANCES:		CHECKED		
FRACTIONAL ±		ENG APPR.		
ANGULAR: MACH ± BEND ±		MFG APPR.		
TWO PLACE DECIMAL ±		Q.A.		
THREE PLACE DECIMAL ±		COMMENTS:		
INTERPRET GEOMETRIC TOLERANCING PER:				SIZE
MATERIAL				DWG. NO.
FINISH				REV
NEXT ASSY	USED ON			SCALE: 1:18
APPLICATION		DO NOT SCALE DRAWING		WEIGHT:
				SHEET 1 OF 1

8 7 6 5 4 3 2 1