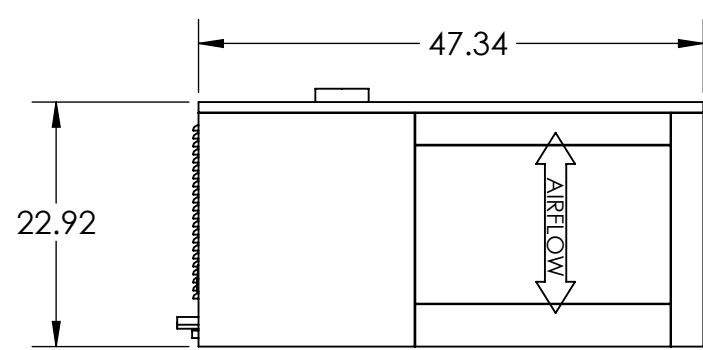
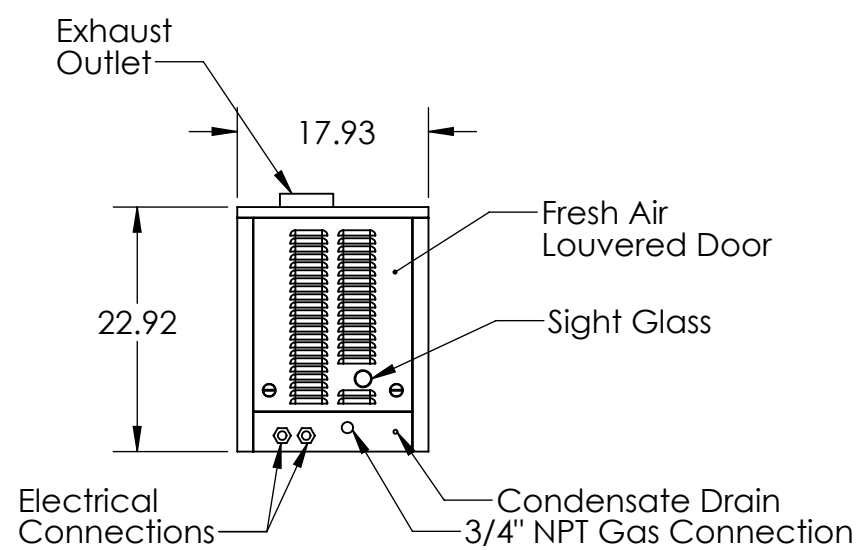
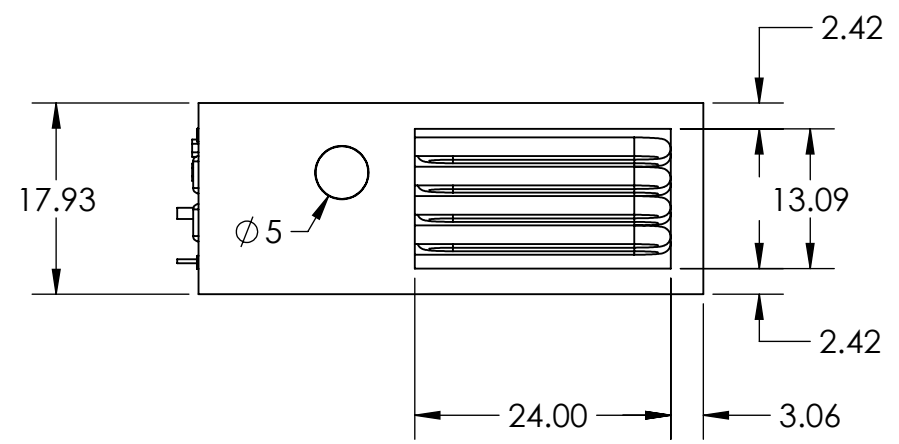
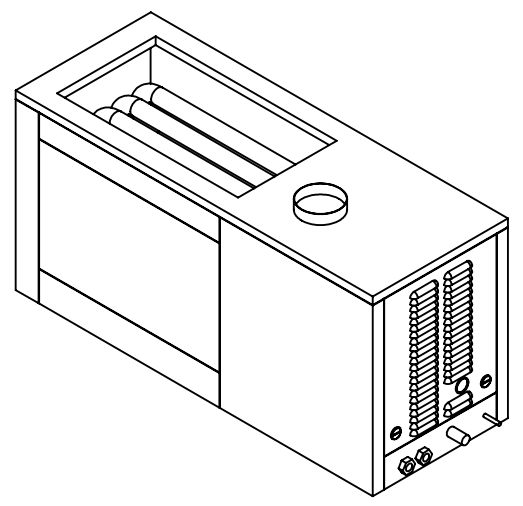


8 7 6 5 4 3 2 1

REVISIONS			
REV.	DESCRIPTION	DATE	APPROVED



**PROPRIETARY AND CONFIDENTIAL**  
 THE INFORMATION CONTAINED IN THIS DRAWING IS THE SOLE PROPERTY OF HEATCO INC. ANY REPRODUCTION IN PART OR AS A WHOLE WITHOUT THE WRITTEN PERMISSION OF HEATCO IS PROHIBITED.

		UNLESS OTHERWISE SPECIFIED:		NAME		DATE		<b>HEATCO</b> 50 Heatco Ct. Cartersville Ga 30120 1-800-554-1007	
		DIMENSIONS ARE IN INCHES		DRAWN		JPence		12/18/2017	
		TOLERANCES:		CHECKED				TITLE:	
		FRACTIONAL ±		ENG APPR.				SIZE	
		ANGULAR: MACH ± BEND ±		MFG APPR.				DWG. NO.	
		TWO PLACE DECIMAL ±		Q.A.				REV	
		THREE PLACE DECIMAL ±		COMMENTS:				HDG100-F-KT	
		INTERPRET GEOMETRIC TOLERANCING PER:						SCALE: 1:18 WEIGHT:	
		MATERIAL						SHEET 1 OF 1	
NEXT ASSY		USED ON		FINISH					
APPLICATION				DO NOT SCALE DRAWING					

8 7 6 5 4 3 2 1