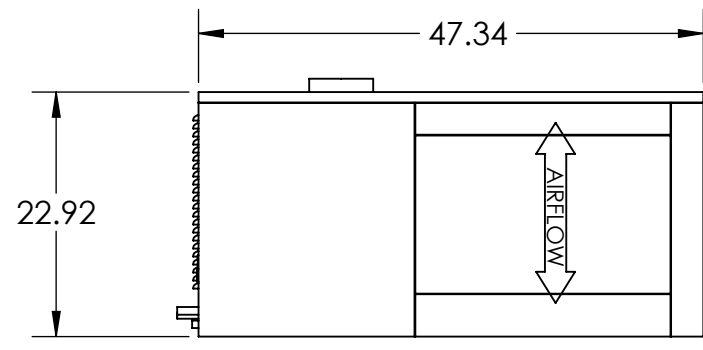
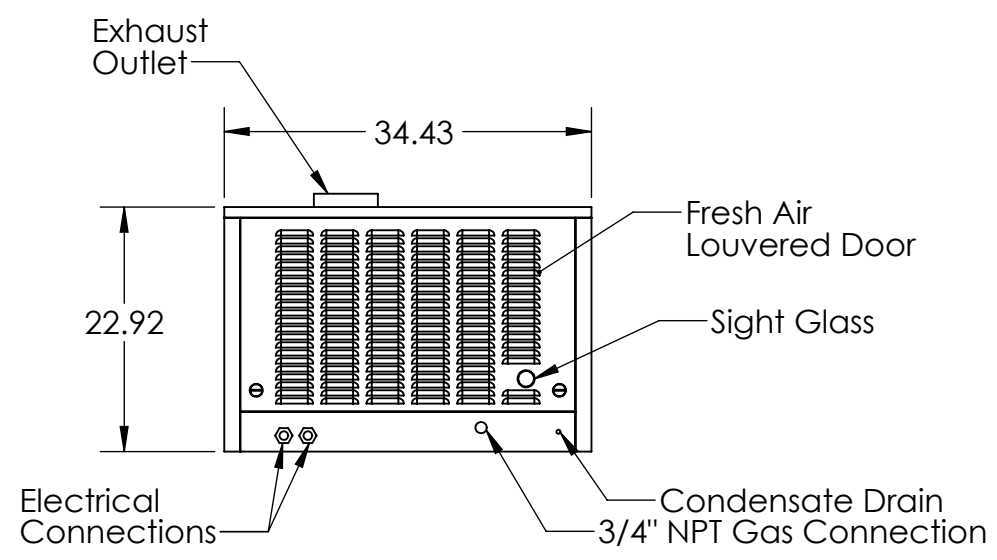
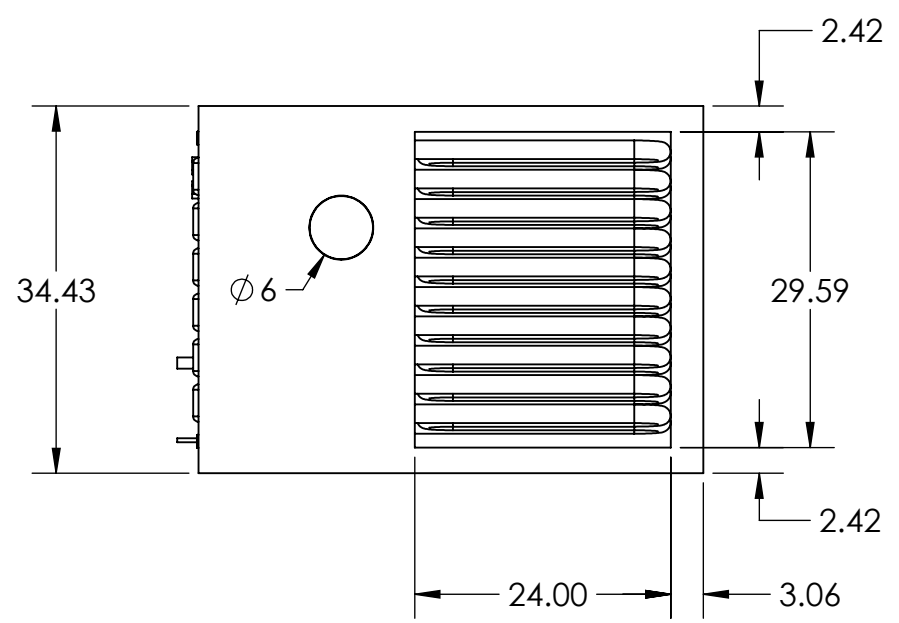
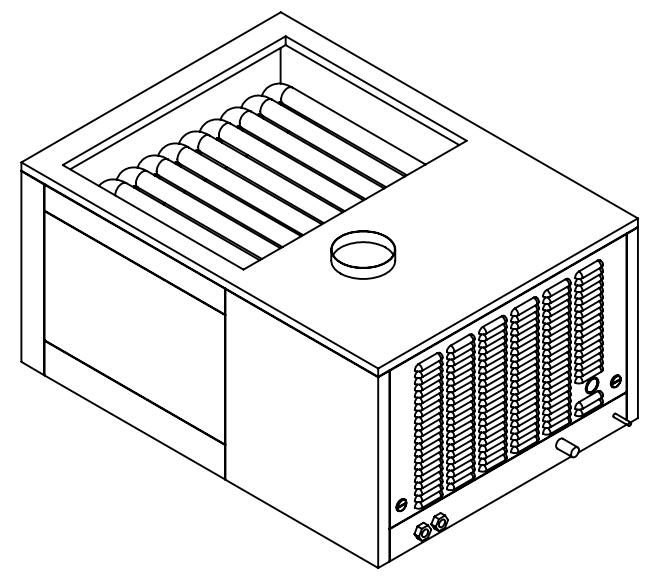


8 7 6 5 4 3 2 1

REVISIONS			
REV.	DESCRIPTION	DATE	APPROVED

D  
C  
B  
A



D  
C  
B  
A

**PROPRIETARY AND CONFIDENTIAL**  
 THE INFORMATION CONTAINED IN THIS DRAWING IS THE SOLE PROPERTY OF HEATCO INC. ANY REPRODUCTION IN PART OR AS A WHOLE WITHOUT THE WRITTEN PERMISSION OF HEATCO IS PROHIBITED.

		UNLESS OTHERWISE SPECIFIED:
		DIMENSIONS ARE IN INCHES
		TOLERANCES:
		FRACTIONAL ±
		ANGULAR: MACH ± BEND ±
		TWO PLACE DECIMAL ±
		THREE PLACE DECIMAL ±
		INTERPRET GEOMETRIC TOLERANCING PER:
		MATERIAL
		FINISH
NEXT ASSY	USED ON	
APPLICATION		DO NOT SCALE DRAWING

	NAME	DATE
DRAWN	JPence	12/18/2017
CHECKED		
ENG APPR.		
MFG APPR.		
Q.A.		
COMMENTS:		

**HEATCO** 50 Heatco Ct.  
 Cartersville Ga 30120  
 1-800-554-1007

TITLE:		
SIZE	DWG. NO.	REV
<b>B</b>	HDG250-F-KT	
SCALE: 1:18 WEIGHT:		SHEET 1 OF 1

8 7 6 5 4 3 2 1