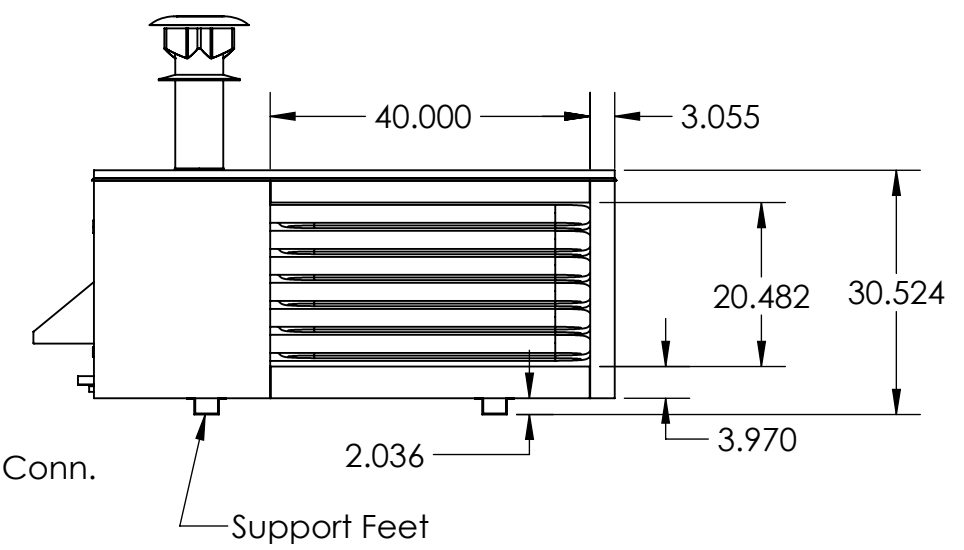
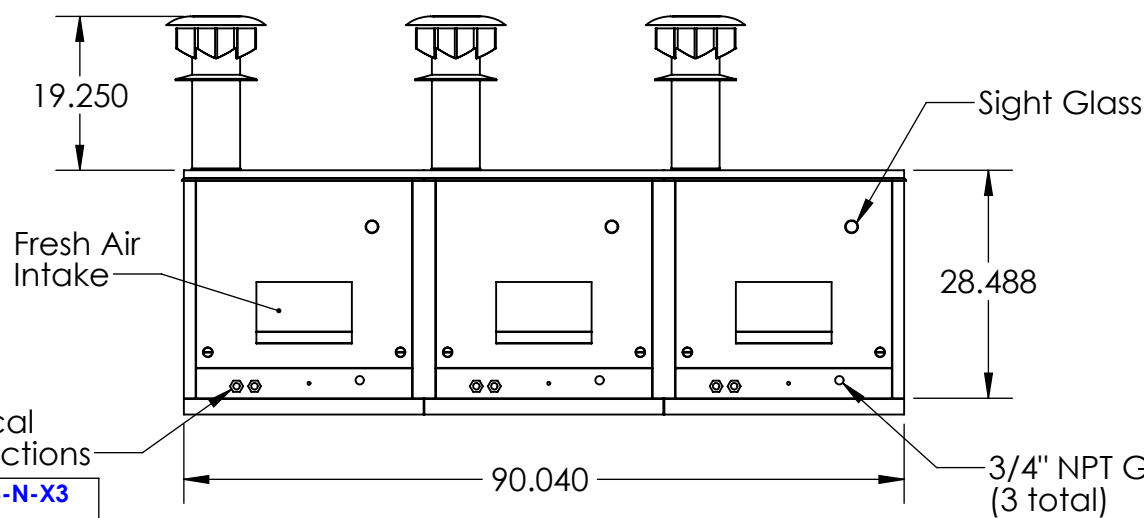
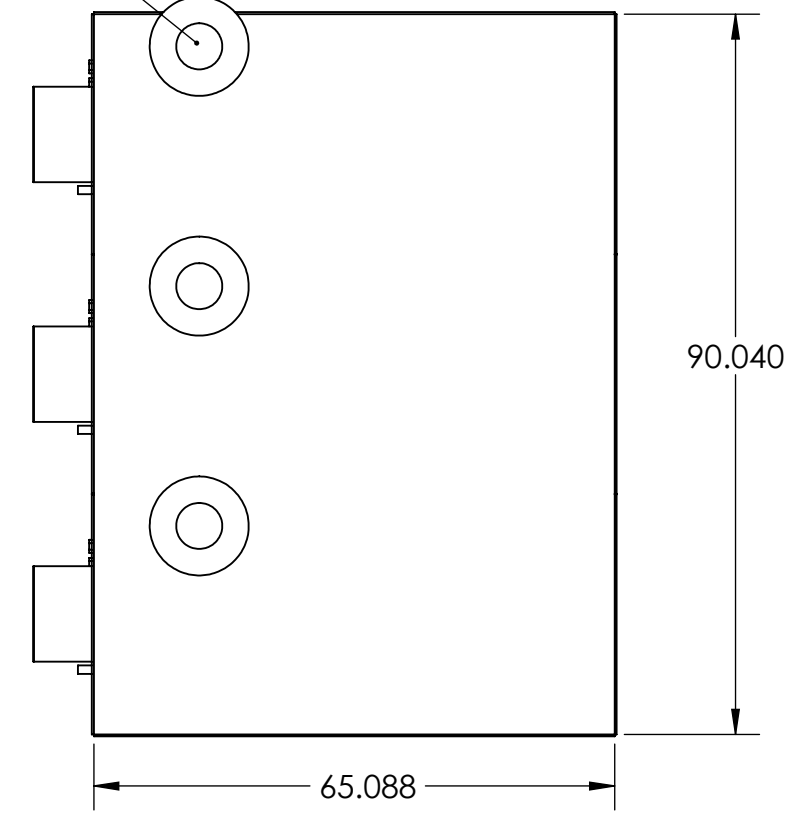


Confirm airflow direction to determine correct heater staging.



Exhaust (3 Total)



Request a quote for the items below for a "15 to 1 turndown" HPA225-B-N-X3

- HPA225**44B06MA**R5*NX
- HPA225**44B06TN**R5*NX
- HPA225**44B06TN**R5*NX
- VCB-1 on a backplate
- NX packaging adder

Request a quote for the items below for a "30 to 1 turndown" HPA225-B-N-X3

- HPA225**44B06MB**R5*NX
- HPA225**44B06TN**R5*NX
- HPA225**44B06TN**R5*NX
- VCB-1 on a backplate
- NX packaging adder

PROPRIETARY AND CONFIDENTIAL
 THE INFORMATION CONTAINED IN THIS DRAWING IS THE SOLE PROPERTY OF HEATCO INC. ANY REPRODUCTION IN PART OR AS A WHOLE WITHOUT THE WRITTEN PERMISSION OF HEATCO IS PROHIBITED.

		UNLESS OTHERWISE SPECIFIED:		NAME	DATE
		DIMENSIONS ARE IN INCHES		DRAWN	MReese 5/24/2017
		TOLERANCES:		CHECKED	
		FRACTIONAL ±		ENG APPR.	
		ANGULAR: MACH ±	BEND ±	MFG APPR.	
		TWO PLACE DECIMAL ±	THREE PLACE DECIMAL ±	Q.A.	
		INTERPRET GEOMETRIC TOLERANCING PER:		COMMENTS:	
		MATERIAL			
		FINISH			
NEXT ASSY	USED ON				
APPLICATION		DO NOT SCALE DRAWING			

		50 Heatco Ct. Cartersville Ga 30120 1-800-554-1007	
		TITLE:	
SIZE	DWG. NO.	REV	
B	HPA225-B-N-X3		
SCALE: 1:24 WEIGHT:		SHEET 1 OF 1	