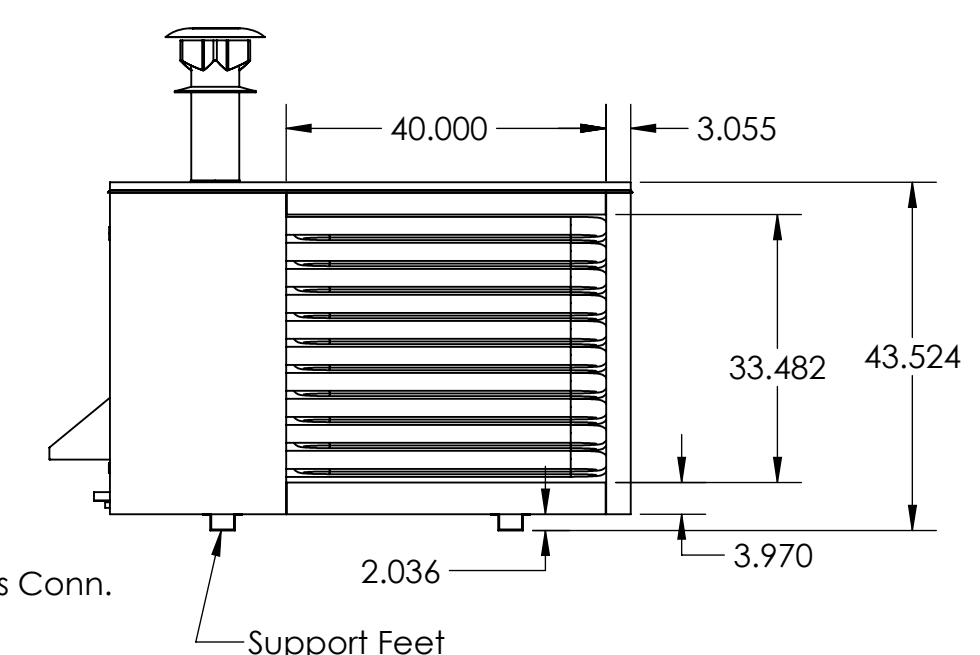
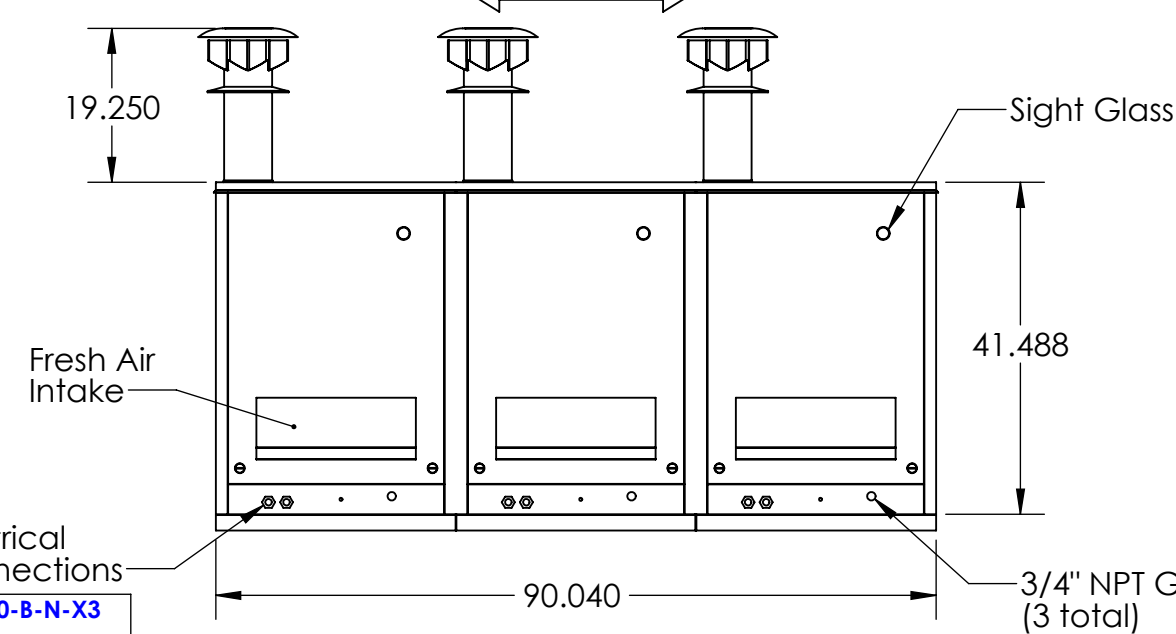
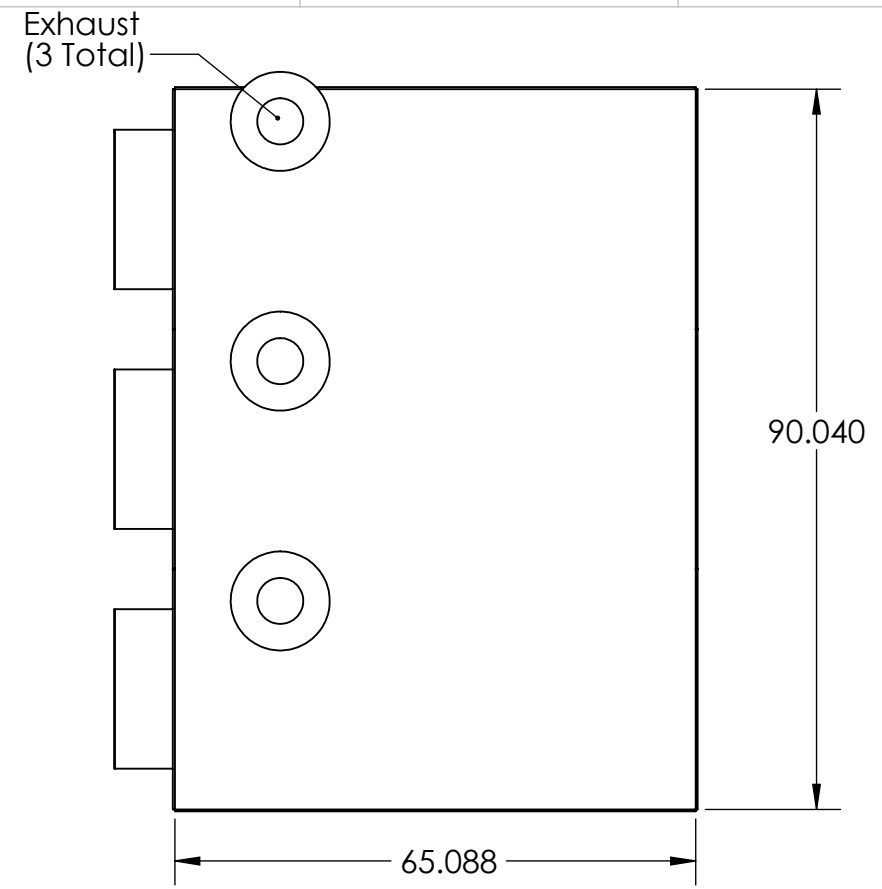


Confirm airflow direction to determine correct heater staging.



Request a quote for the items below for a "15 to 1 turndown" HPA400-B-N-X3

- HPA400\*\*44B10MA\*\*R5\*NX
- HPA400\*\*44B10TN\*\*R5\*NX
- HPA400\*\*44B10TN\*\*R5\*NX
- VCB-1 on a backplate
- NX packaging adder

Request a quote for the items below for a "30 to 1 turndown" HPA400-B-N-X3

- HPA400\*\*44B10MB\*\*R5\*NX
- HPA400\*\*44B10TN\*\*R5\*NX
- HPA400\*\*44B10TN\*\*R5\*NX
- VCB-1 on a backplate
- NX packaging adder

**PROPRIETARY AND CONFIDENTIAL**  
 THE INFORMATION CONTAINED IN THIS DRAWING IS THE SOLE PROPERTY OF HEATCO INC. ANY REPRODUCTION IN PART OR AS A WHOLE WITHOUT THE WRITTEN PERMISSION OF HEATCO IS PROHIBITED.

UNLESS OTHERWISE SPECIFIED:	
DIMENSIONS ARE IN INCHES	
TOLERANCES:	
FRACTIONAL ±	
ANGULAR: MACH ±	BEND ±
TWO PLACE DECIMAL ±	
THREE PLACE DECIMAL ±	
INTERPRET GEOMETRIC TOLERANCING PER:	
MATERIAL	
FINISH	
NEXT ASSY	USED ON
APPLICATION	DO NOT SCALE DRAWING

NAME	DATE
MReese	5/24/2017
DRAWN	
CHECKED	
ENG APPR.	
MFG APPR.	
Q.A.	
COMMENTS:	

**HEATCO** 50 Heatco Ct. Cartersville Ga 30120 1-800-554-1007

TITLE:

SIZE **B** DWG. NO. HPA400-B-N-X3 REV

SCALE: 1:24 WEIGHT: SHEET 1 OF 1