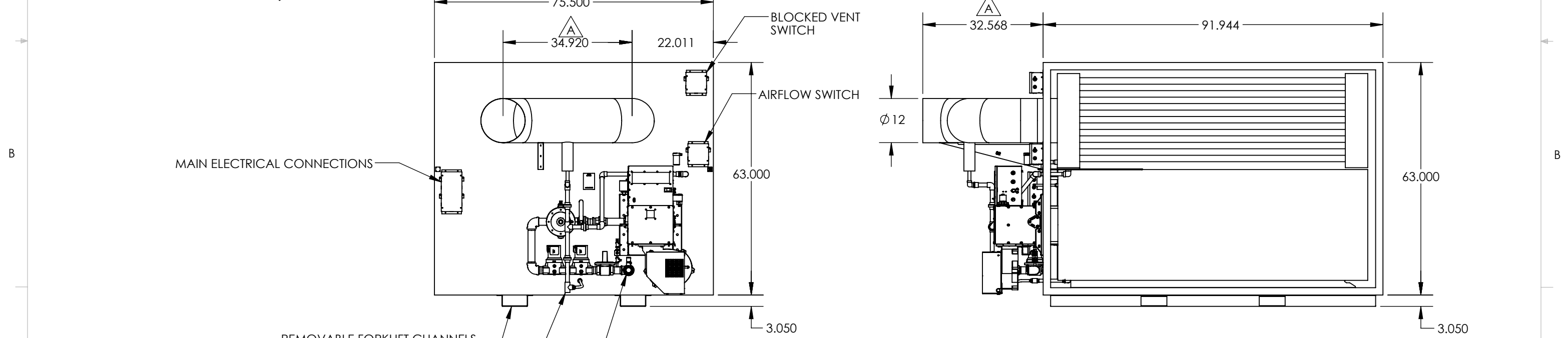
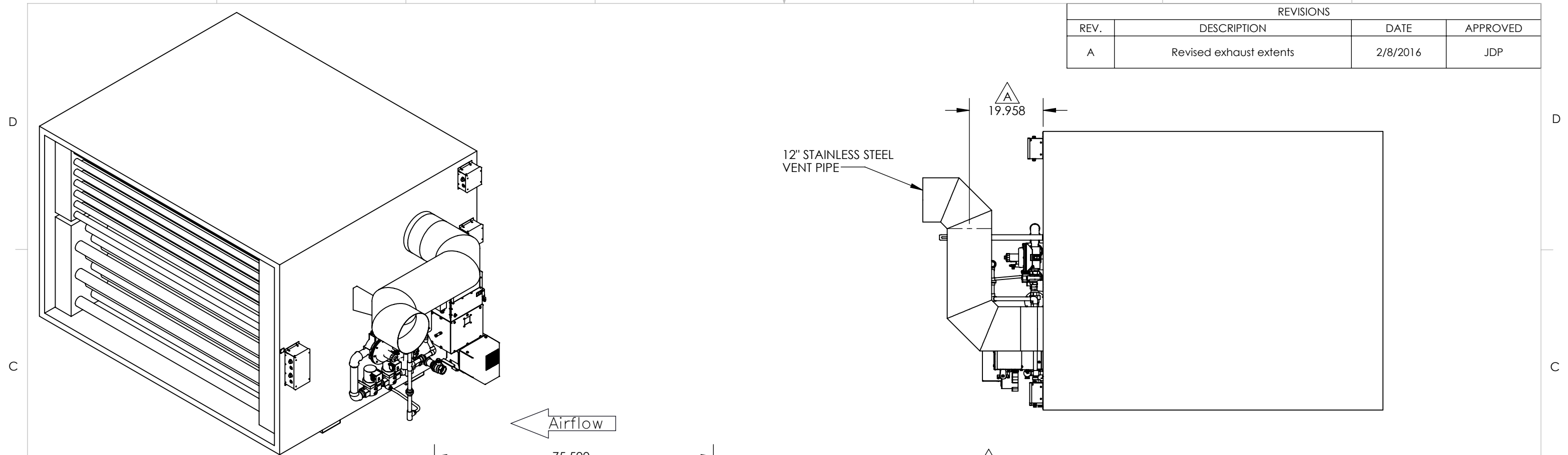


8 7 6 5 4 3 2 1

REVISIONS			
REV.	DESCRIPTION	DATE	APPROVED
A	Revised exhaust extents	2/8/2016	JDP



MAIN ELECTRICAL CONNECTIONS

12" STAINLESS STEEL VENT PIPE

Airflow

BLOCKED VENT SWITCH

AIRFLOW SWITCH

REMOVABLE FORKLIFT CHANNELS  
 3/4" PVC DRAIN CONNECTION  
 1-1/2" FPT GAS CONNECTION

**PROPRIETARY AND CONFIDENTIAL**  
 THE INFORMATION CONTAINED IN THIS DRAWING IS THE SOLE PROPERTY OF HEATCO INC. ANY REPRODUCTION IN PART OR AS A WHOLE WITHOUT THE WRITTEN PERMISSION OF HEATCO IS PROHIBITED.

UNLESS OTHERWISE SPECIFIED:		NAME	DATE	<b>HEATCO</b> 50 Heatco Ct. Cartersville Ga 30120 1-800-554-1007
DIMENSIONS ARE IN INCHES TOLERANCES: FRACTIONAL ± ANGULAR: MACH ± BEND ± TWO PLACE DECIMAL ± THREE PLACE DECIMAL ±		DRAWN	12/7/15	
INTERPRET GEOMETRIC TOLERANCING PER:		CHECKED		TITLE:
MATERIAL		ENG APPR.		
FINISH		MFG APPR.		
NEXT ASSY	USED ON	Q.A.		SIZE DWG. NO. REV
APPLICATION	DO NOT SCALE DRAWING	COMMENTS:		<b>B</b> EF-1500-V4-B-F <b>A</b>
			SCALE: 1:26	WEIGHT: SHEET 1 OF 1

8 7 6 5 4 3 2 1