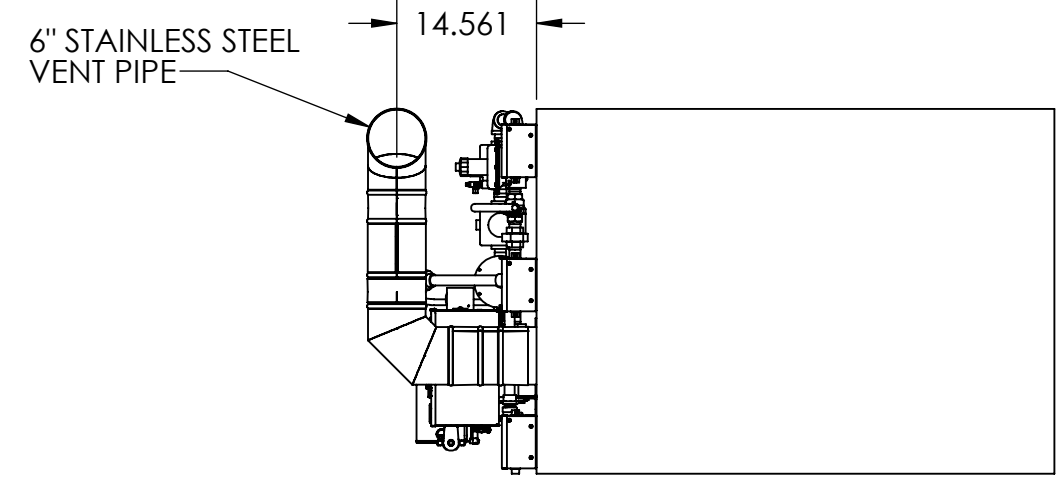
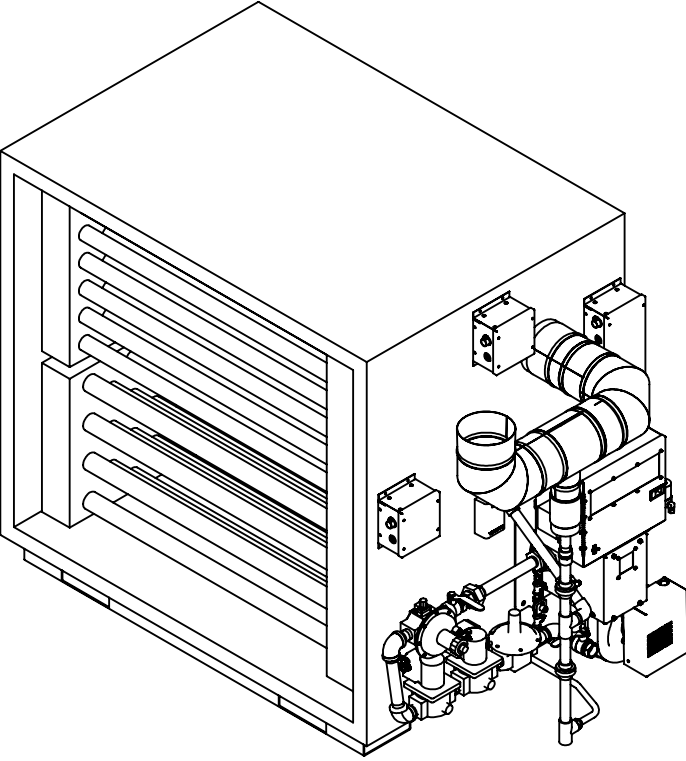
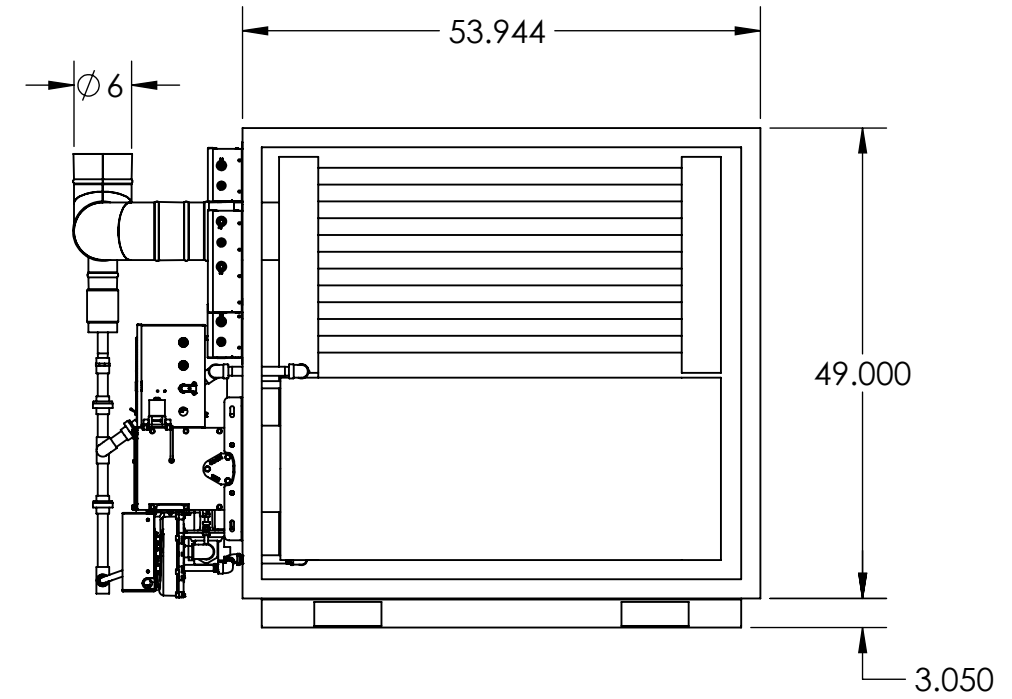
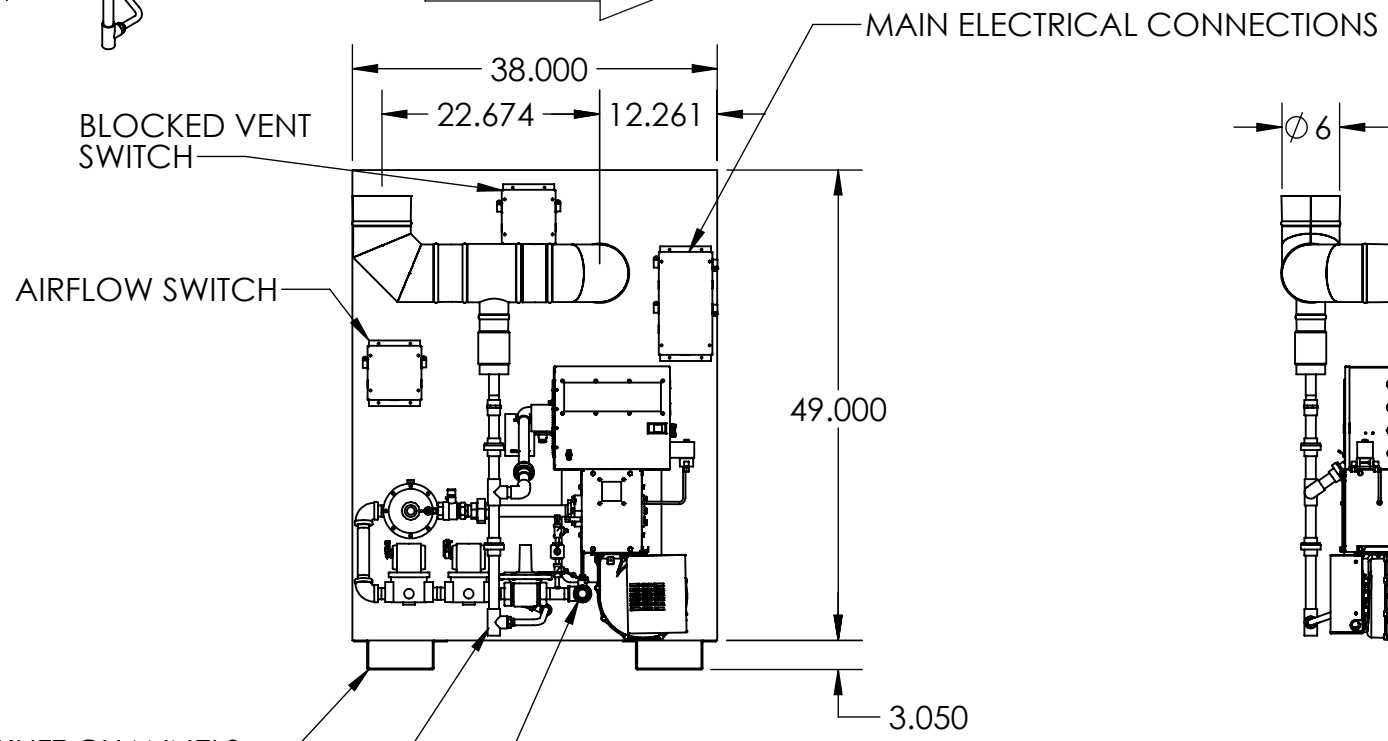


8 7 6 5 4 3 2 1

D
C
B
A



Airflow →



REMOVABLE FORKLIFT CHANNELS
3/4" PVC DRAIN CONNECTION
1" FPT GAS CONNECTION

BLOCKED VENT SWITCH
AIRFLOW SWITCH

MAIN ELECTRICAL CONNECTIONS

		UNLESS OTHERWISE SPECIFIED:		NAME	DATE
		DIMENSIONS ARE IN INCHES	DRAWN	JPence	12/4/15
		TOLERANCES:	CHECKED		
		FRACTIONAL ±	ENG APPR.		
		ANGULAR: MACH ±	MFG APPR.		
		BEND ±	Q.A.		
		TWO PLACE DECIMAL ±	COMMENTS:		
		THREE PLACE DECIMAL ±			
		INTERPRET GEOMETRIC TOLERANCING PER:			
		MATERIAL			
		FINISH			
NEXT ASSY	USED ON				
APPLICATION		DO NOT SCALE DRAWING			

PROPRIETARY AND CONFIDENTIAL
THE INFORMATION CONTAINED IN THIS DRAWING IS THE SOLE PROPERTY OF HEATCO INC. ANY REPRODUCTION IN PART OR AS A WHOLE WITHOUT THE WRITTEN PERMISSION OF HEATCO IS PROHIBITED.

HEATCO 50 Heatco Ct.
Cartersville Ga 30120
1-800-554-1007

TITLE:		
SIZE	DWG. NO.	REV
B	EF-250-V1-A-T	
SCALE: 1:20 WEIGHT:		SHEET 1 OF 1

8 7 6 5 4 3 2 1