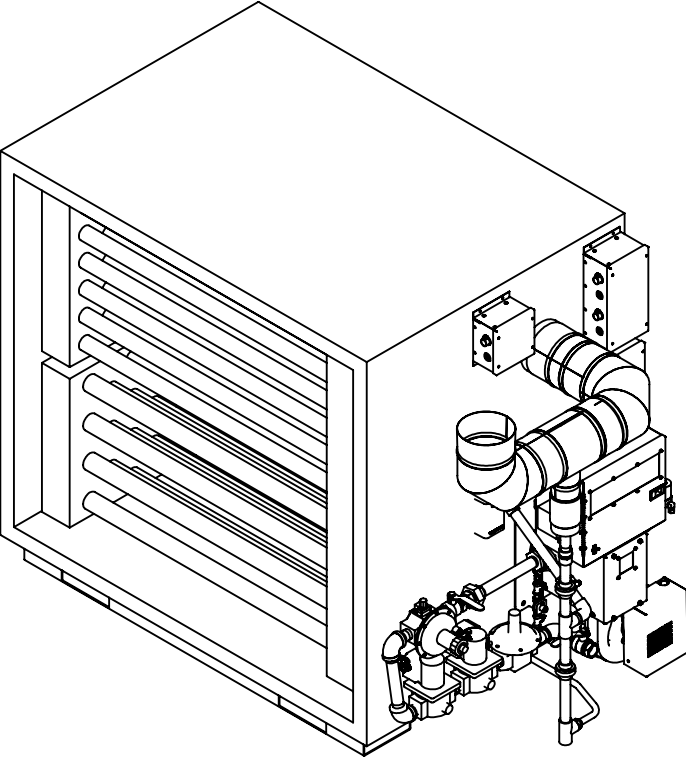


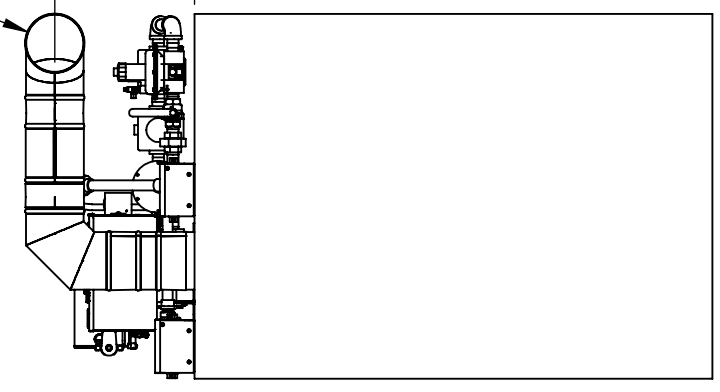
8 7 6 5 4 3 2 1

D  
C  
B  
A



6" STAINLESS STEEL VENT PIPE

14.561



Airflow

MAIN ELECTRICAL CONNECTIONS

BLOCKED VENT SWITCH

AIRFLOW SWITCH

38.000

22.674

12.261

53.944

Ø6

49.000

49.000

3.050

3.050

REMOVABLE FORKLIFT CHANNELS

3/4" PVC DRAIN CONNECTION

1" FPT GAS CONNECTION

**PROPRIETARY AND CONFIDENTIAL**  
THE INFORMATION CONTAINED IN THIS DRAWING IS THE SOLE PROPERTY OF HEATCO INC. ANY REPRODUCTION IN PART OR AS A WHOLE WITHOUT THE WRITTEN PERMISSION OF HEATCO IS PROHIBITED.

		UNLESS OTHERWISE SPECIFIED:		NAME	DATE	<b>HEATCO</b> 50 Heatco Ct. Cartersville Ga 30120 1-800-554-1007	
		DIMENSIONS ARE IN INCHES TOLERANCES: FRACTIONAL ± ANGULAR: MACH ± BEND ± TWO PLACE DECIMAL ± THREE PLACE DECIMAL ±		DRAWN	12/4/15		
		INTERPRET GEOMETRIC TOLERANCING PER:		CHECKED		TITLE:	
		MATERIAL		ENG APPR.			
NEXT ASSY	USED ON	FINISH		MFG APPR.		SIZE DWG. NO. REV	
APPLICATION		DO NOT SCALE DRAWING		Q.A.		B EF-250-V1-B-T	
				COMMENTS:		SCALE: 1:20 WEIGHT: SHEET 1 OF 1	

8 7 6 5 4 3 2 1