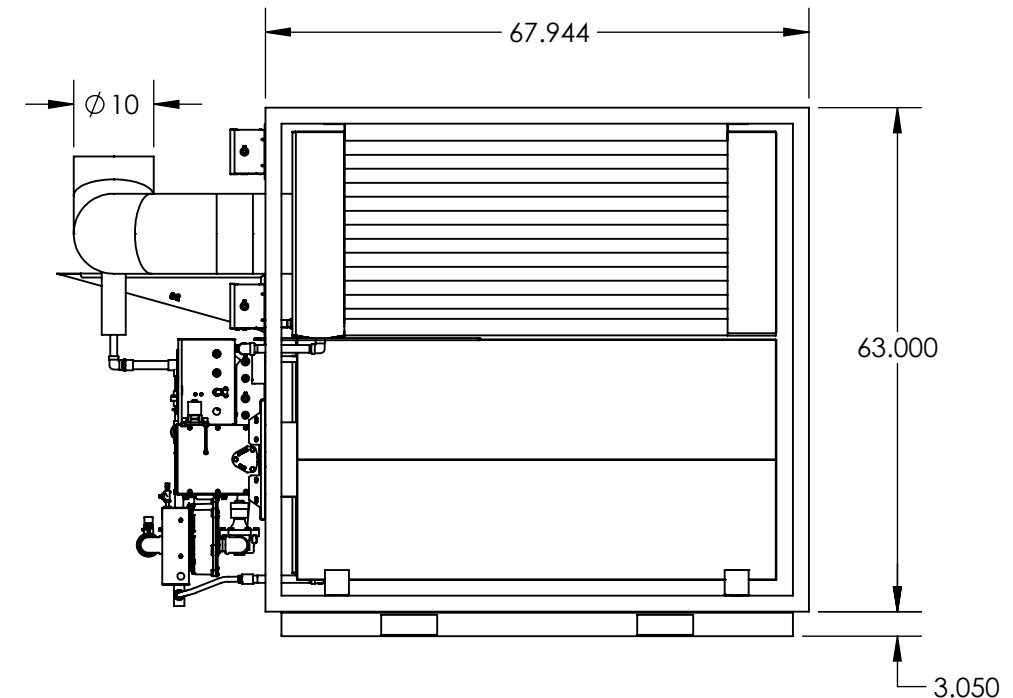
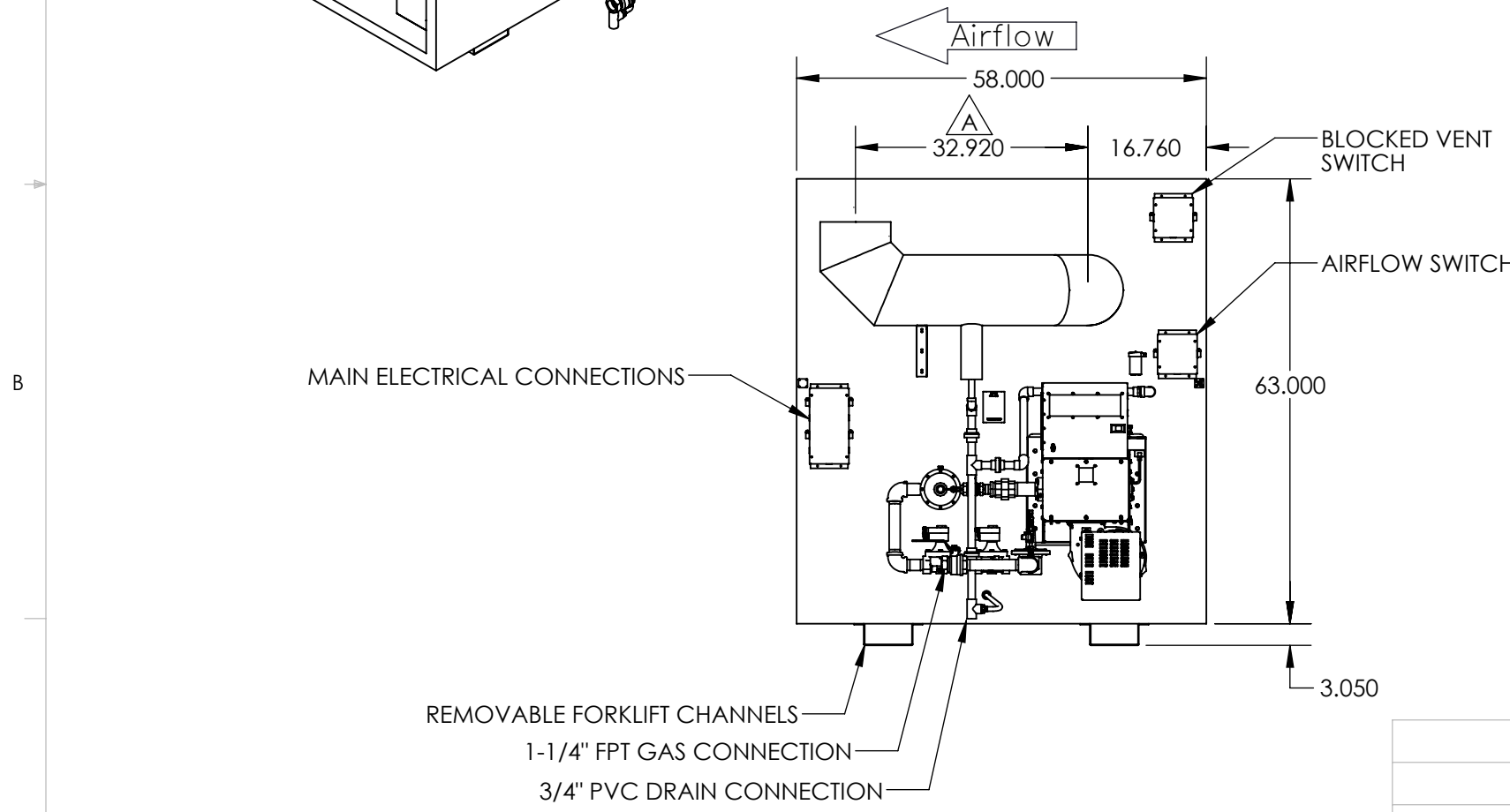
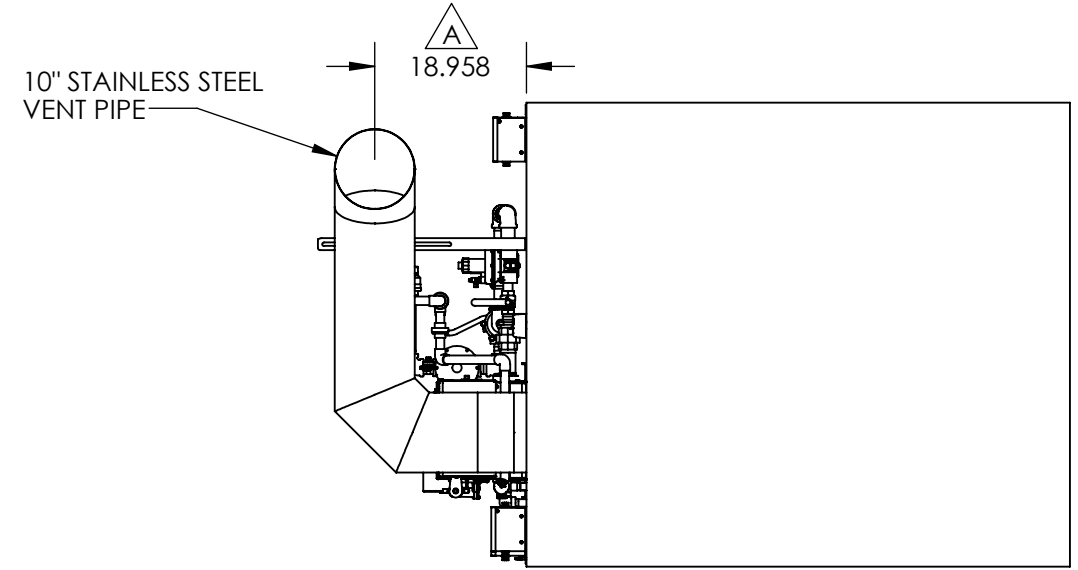
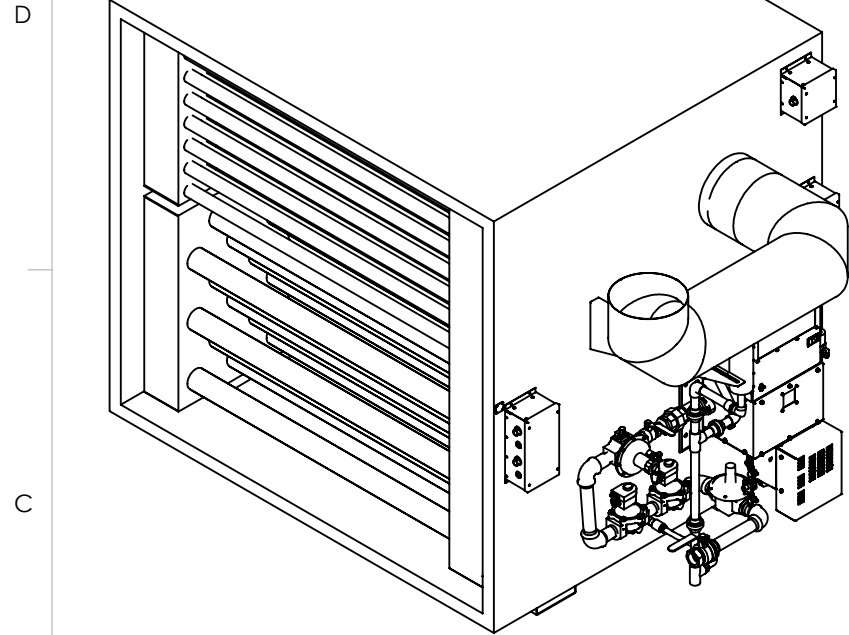


REVISIONS			
REV.	DESCRIPTION	DATE	APPROVED
A	Revised exhaust extents	2/9/2016	JDP



PROPRIETARY AND CONFIDENTIAL
 THE INFORMATION CONTAINED IN THIS DRAWING IS THE SOLE PROPERTY OF HEATCO INC. ANY REPRODUCTION IN PART OR AS A WHOLE WITHOUT THE WRITTEN PERMISSION OF HEATCO IS PROHIBITED.

		UNLESS OTHERWISE SPECIFIED:		NAME	DATE
		DIMENSIONS ARE IN INCHES	DRAWN	JPence	12/7/15
		TOLERANCES:	CHECKED		
		FRACTIONAL ±	ENG APPR.		
		ANGULAR: MACH ± BEND ±	MFG APPR.		
		TWO PLACE DECIMAL ±	Q.A.		
		THREE PLACE DECIMAL ±	COMMENTS:		
		INTERPRET GEOMETRIC TOLERANCING PER:			
		MATERIAL			
		FINISH			
NEXT ASSY	USED ON				
APPLICATION		DO NOT SCALE DRAWING			

HEATCO 50 Heatco Ct.
 Cartersville Ga 30120
 1-800-554-1007

TITLE:

SIZE **B** DWG. NO. EF-750-V2-B-T REV **A**

SCALE: 1:24 WEIGHT: SHEET 1 OF 1